

PegPerego

USA

EN Instructions for use
FIUS2001I262

Viaggio **SHUTTLE** Plus **120** RIGID LATCH

WARNING:

- Do not install or use this booster seat until you read and understand all the instructions in this manual and the labels. To avoid serious injuries to your child, follow the instructions carefully. Keep the instruction manual in the dedicated pocket for future reference.

Weight range:

40 – 120 lbs
(18 – 54 kg)


Height range:

39 - 63 inches
(99 – 160 cm)

Age:

at least 4 years old
(highback mode)
at least 5 years old
(backless mode)

TABLE OF CONTENTS

Introduction	3
Safe practices	4
 Information & warnings	6
Registration and recall	8
Your booster seat.....	9
When is a child ready to transition to a booster seat?	10
When is a child ready to ride without this booster seat?	13
Seat belts - which ones are safe to use with this booster seat? ...	14
Vehicles and vehicle seats - which ones are safe to use with this booster seat?.....	15
Latch - what is it and where is it in the vehicle?.....	16
Rigid latch - why to use it?.....	18
Modes of use: highback and backless	19
Highback mode:	
- Adjusting the seat to fit your child.....	21
- Installing the booster seat in the vehicle	24
- Securing this booster with rigid latch	25
- Buckling your child in the booster.....	29
Converting from highback to backless mode.....	33
Backless mode:	
- Installing the backless booster seat in the vehicle	35
- Securing this booster with rigid latch in the vehicle.....	36
- Buckling your child in the booster	40
When and how to use the shoulder belt positioning clip.....	44
Kinetic Pods.....	46
Cup holder.....	47
Cleaning and maintenance.....	48
Replacement parts.....	54

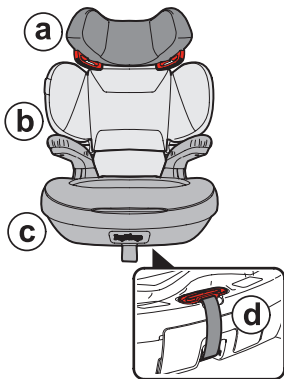
INTRODUCTION

Thank you for choosing the Peg Perego Viaggio Shuttle Plus 120 booster seat. As with all Peg-Perego products, your Viaggio Shuttle Plus 120 has been designed and certified by a dedicated team of engineers inside Peg Perego's research and development department. It has been manufactured and assembled in a Peg Perego plant under certified quality procedures using high quality materials from certified suppliers. As with all booster seats, the Viaggio Shuttle Plus 120 is designed to be used by a child in a vehicle.

Always check the product prior to use. The product is composed of:

headrest (a), backrest (b), seat with integrated rigid latch (c) and shoulder belt positioning clip(d).

In case of missing or malfunctioning parts, please contact our Customer Service @ 1-800-671-1701 for help.



SAFE PRACTICES

- Everyone buckles up, including adults in the back seat. Make no exceptions. If someone unbuckles, stop the vehicle. Be firm and consistent from the start so children know the rules. An unrestrained person increases the risk of death for everyone else as they can fly into and injure other passengers.
- Never take a child out of a booster seat for any reason while the vehicle is moving.
- Do not leave loose objects, bags or luggage in the passenger area. In a crash they will be much heavier than usual and can fly around and hurt the people in the car.
- Do not leave your child unattended in the vehicle, even for a minute. Your child can get tangled in the seat belt and strangle.
- This booster seat must be secured when the child is not in it. This booster seat is a heavy object that can severely hurt others in a crash if it were to fly around the car. There are two ways you can secure this booster seat when the child is not in it to prevent it from becoming a deadly projectile. You only need to use one of these ways.
 1. Use the rigid LATCH (see pages 25-26)
 2. Use the vehicle's seat belt to buckle in the empty booster

SAFE PRACTICES

- DO NOT give children lollipops or ice cream on a stick while in the car. These sticks can injure a child if the car hits a bump or swerves.
- Do not leave the booster seat under direct sunlight for a prolonged time. The seat may become very hot and burn your child's skin.
- Store the booster seat in a cool, dry area if not used for long periods.
- Do not try to remove or add parts unless where explained in this manual; do not try to repair this product. In case of damaged or defective parts, call customer service at 1-800-671-1701.



INFORMATION & WARNINGS

- **Certification:** This booster seat meets or exceeds all applicable Federal Motor Vehicle Safety Standard 213 requirements for use in motor vehicles. This restraint is NOT certified for aircraft use.
- **Expiration:** Do not use this booster seat if it is more than 12 years old. The date of manufacture can be found on a sticker located on the underside of the booster.
- **In case of a crash:** If this booster seat is involved in a minor crash, you may continue to use it. Otherwise, it must be replaced. If you have questions, call customer service at 1-800-671-1701.
- A minor crash is one where you can say YES to ALL of the following statements:
 - The vehicle was able to be driven away from the crash site.
 - The vehicle door nearest the booster seat was not damaged.
 - None of the passengers in the vehicle sustained any injuries in the crash.
 - If the vehicle has air bags, the air bags did not deploy during the crash.
 - There is no visible damage to the booster seat.
 - Do not use this booster seat until you have read this manual and the labels on the product.



INFORMATION & WARNINGS

To avoid serious injuries to your child, follow the instructions and labels carefully.

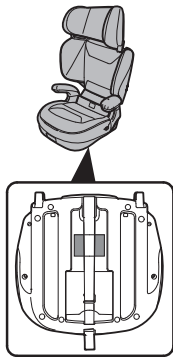
- **⚠️WARNING!** Use only the vehicle's lap and shoulder belt system when restraining the child in this booster seat.
 - Keep the instruction manual in its storage pocket in the underside of the booster.
 - All fabric covers and pads that come with this booster seat are part of the booster and the certification program. The use of non approved covers or other accessories are not recommended and can put your child at risk in a crash.
 - The energy absorbing white foam located under the fabric covers is a safety feature of this booster seat and should never be removed or damaged.
- This booster seat is not certified for aircraft use because aircraft seats DO NOT have shoulder belts

REGISTRATION AND RECALL

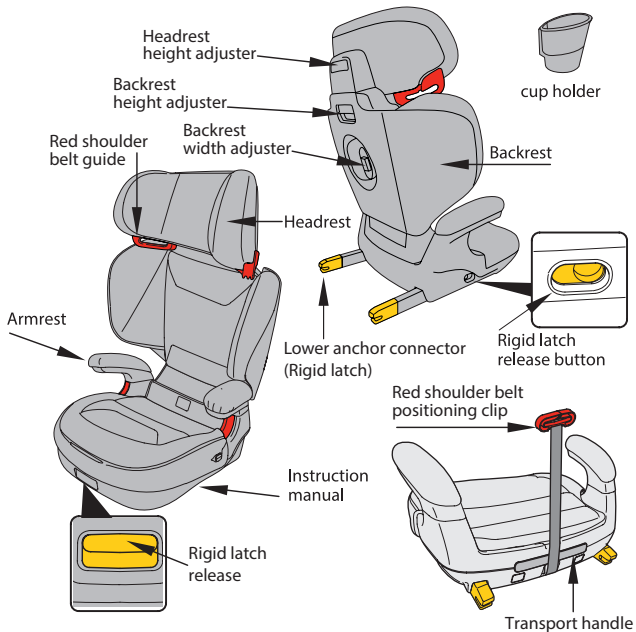
⚠ Important! Child restraints could be recalled for safety reasons. You must register this restraint to be reached in a recall. Send your name, address and the restraint's model number and date of manufacture to: Peg Perego U.S.A., Inc. 3625 Independence Drive FortWayne, IN 46808 or call 1-800-671-1701 (tollfree) or register online at www.carseat-registration.pegperego.com

For recall information, call the U.S. Government's Vehicle Safety Hotline at 1-888-327-4236 (TTY: 1-800-424-9153) or go to <http://www.NHTSA.gov>

Model number, model name, date of manufacture, etc. are indelibly printed on a label located under the seat base (as shown here). The registration card is attached to the fabric cover. Detach the card, fill it in and mail it to Peg Perego. No stamp is needed. We have already paid the postage. If the registration card is missing, please call Customer Service at 1-800-671-1701.



YOUR BOOSTER SEAT



WHEN IS A CHILD READY TO TRANSITION TO A BOOSTER SEAT?

Many parents confuse the words “car seat” and “booster seat”. It is important to understand the difference between a car seat and a booster seat.

A car seat is a seat the child sits in and uses a 5-point harness as their restraint.

A booster seat is a seat the child sits on and uses the vehicle's seat belt as their restraint.

This Viaggio Shuttle Plus 120 is a booster seat.

Booster seats are for kids who are too big for their car seat and too small to fit properly in a seat belt. Booster seats help the child's body fit properly on the vehicle seat. Booster seats make the seat belt start and stay on the correct bony parts of the child's body.

It isn't a coincidence that boosters make kids taller. By raising the child up, boosters help the shoulder belt fit properly between the shoulder and the neck. By raising the child up and giving the child a shorter seat pan, the child's knees can now bend at the edge of the booster. This makes kids much less likely to slouch. Slouching is dangerous as it puts the lap belt on the soft belly

WHEN IS A CHILD READY TO TRANSITION TO A BOOSTER SEAT?

which injures the abdominal organs and spinal cord. Boosters also have design features that help the lap belt start and stay on the lap during a crash. Many boosters use arm rests to do this. Make sure if your booster has arm rests, that the lap belt always goes under both arm rests.

A child must meet ALL of these requirements before they can ride in this booster seat:

- at least 4 years old (highback mode) / at least 5 years old (backless mode)
- at least 40 pounds
- at least 39 inches tall
- able to sit properly in this booster seat during the entire car ride - no slouching, no playing with the seat belt, no putting the seat belt under the arm or behind the back, no leaning over, etc.

Most children can not sit properly in a booster seat until at least age 5. Sitting properly is what makes sure the seat belt fits snug and rests on the proper bony parts of the body. If the child is not mature enough for a booster, they need to ride in a car seat. The car seat's 5-point-harness will keep them safe and won't let them slouch or lean over.

WHEN IS A CHILD READY TO TRANSITION TO A BOOSTER SEAT?

Does your child meet all of the requirements above to use this booster, but also still fits in their old car seat? Many parents can be unsure about which seat to use. If you use their forward-facing car seat, make sure you always use the tether strap on that forward-facing car seat. If you have a vehicle that does not have a tether anchor, a booster seat may provide better head and neck protection than a forward-facing car seat that isn't tethered.

WHEN IS A CHILD READY TO RIDE WITHOUT THIS BOOSTER SEAT?

Children need a booster seat until their body fits properly on the vehicle seat AND the seat belt fits properly on their body without the help of a booster.

Fitting properly means that you can say yes to all 5 questions below:

- 1.** The child can sit with their back against the back of the vehicle seat.
- 2.** The child's knees can bend naturally at the edge of the vehicle seat without slouching.
- 3.** The lap belt is on the lap, not on the belly. The lap belt should rest on the top of the thighs.
- 4.** The shoulder belt is comfortable between the neck and the shoulder.
- 5.** The child can sit like this for the entire trip.

Studies show that half of all 10 year olds need a booster seat to ride safely. By age 12 most kids can ride safely without a booster.

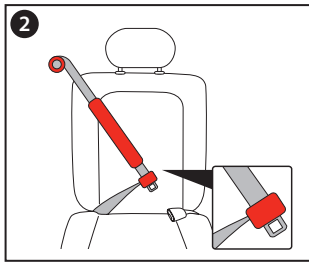
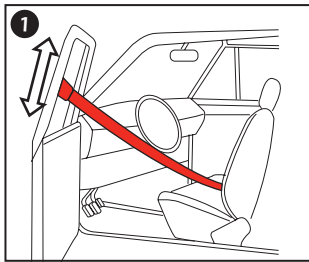
SEAT BELTS - WHICH ONES ARE SAFE TO USE WITH THIS BOOSTER SEAT?

This booster seat must be used with a lap/shoulder belt.

This booster seat **can not be used when there is only a lap belt.** Using just a lap belt puts your child at increased risk of injury because lap belts don't hold the child's head and chest in a crash.

Most lap/shoulder belts are safe to use with this booster. However:

1. If your vehicle is equipped with seat belts that are attached to the door of the vehicle, **do not use this booster.**
2. If your vehicle is equipped with inflatable seat belts, please call Peg Perego Customer Service at 1-800-671-1701 for compatibility of this booster seat with your vehicle.



VEHICLES AND VEHICLE SEATS - WHICH ONES ARE SAFE TO USE WITH THIS BOOSTER SEAT?

This booster seat is designed to be used in passenger vehicles. It is not designed to be used on three-wheel vehicles or motor bikes.

According to crash statistics, children are safer when properly restrained in the back seat than in the front seat. Therefore, Peg Perego strongly recommends that children using this booster seat ride in the back seat.

This booster seat can **ONLY** be used on a vehicle seat that faces the front of the vehicle. Do **NOT** use this booster seat on any of the following:

1. Side facing vehicle seats
2. Rear facing vehicle seats
3. Vehicle seats that rotate in different positions

NO



NO



If your vehicle is equipped with front passenger side air bags, please refer to your vehicle owner's manual for compatibility and further information about booster seat installation.

LATCH - WHAT IS IT AND WHERE IS IT IN THE VEHICLE?

LATCH stands for Lower Anchors and Tethers for children. LATCH works by connecting parts of your child's car seat or booster seat to special anchors in the vehicle.

Vehicle LATCH hardware:

Lower Anchors: These are a pair of metal bars hidden in the vehicle's seat crease. Most vehicles since 2003 have the lower anchors for at least 2 seating positions (almost always for the driver & passenger side seats. The center seat almost never has lower anchors).

Tether Anchors: These are metal rings or bars that are behind the vehicle seat. Most vehicles since 2000 have tether anchors for at least 3 seating positions.

Read your vehicle's owners manual to see if and where your vehicle has lower anchors and tether anchors.

Child Seat LATCH hardware:

Lower Anchor Connectors: These are hooks on your child's seat that will hook onto the lower anchors in the vehicle's seat crease.

Flexible LATCH: When the hooks are attached to a flexible strap that is part of your child's seat.

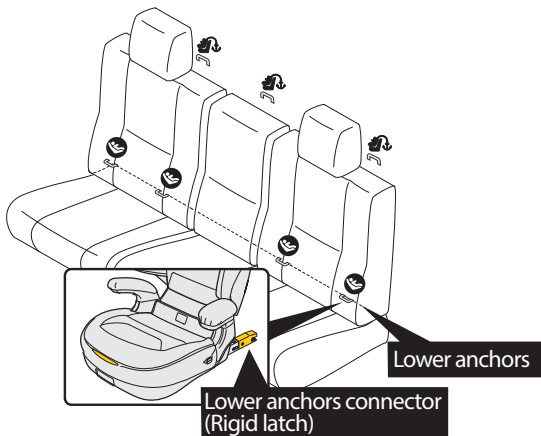
Rigid LATCH: When the hooks are rigidly attached to the child's seat and there is no strap involved.

LATCH - WHAT IS IT AND WHERE IS IT IN THE VEHICLE?

This booster seat has rigid LATCH

Tether Strap: The tether is a strap found on every forward-facing car seat. The tether strap secures the top of the child's car seat to the vehicle's tether anchor. The tether strap keeps the brain and spine safer for a child riding in a forward-facing car seat. Booster seats usually do not have or use tether straps.

This booster seat does not have a tether strap.



RIGID LATCH - WHY TO USE IT?

This booster seat features rigid LATCH which secures the booster to the vehicle:

- **Using rigid LATCH is optional.**
- With or without rigid LATCH, this booster seat meets or exceeds all safety standards and can keep your child safe.
- **However, Peg Perego strongly recommends using rigid LATCH with this booster seat whenever possible.** Rigid LATCH gives this booster seat added stability in case of a sudden stop or sharp turn. Rigid LATCH also prevents the booster from flying around when the child is not in it, which can hurt others in the car.

Your child will always use the seat belt across them as their restraint. This is regardless of whether or not you have used rigid LATCH to secure the booster to the vehicle.

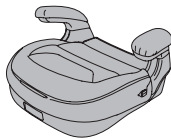
MODES OF USE: HIGHBACK AND BACKLESS

This booster seat can be either a highback or a backless booster.



When you use the headrest & backrest, you have a highback booster.

Without the headrest & backrest, it is a backless booster.



Highback mode gives your child the best protection because the headrest & backrest:

- Provide additional protection to your child's head, neck, and chest in a side impact crash
- Provide a more enclosed seat which helps kids sit up straight. Kids often lean over and squirm less when in a highback than a backless booster.
- Help keep the child's body in a better position during swerving or other pre-crash maneuvers.
- Help keep a sleeping child's body upright. When a sleeping child slumps sideways, the seat belt gets loose

MODES OF USE: HIGHBACK AND BACKLESS

and slides off the correct parts of their body.

- Provide head and neck support to prevent whiplash injuries in vehicles that can't support to the top of the child's ears.

We strongly recommend using this as a highback booster whenever possible. However, we realize there are times when it is easier to travel with it in backless mode.

In backless mode: Make sure some part of the vehicle - either the seat back or the head restraint - comes to at least the top of the child's ears.

Why? The top of the ears is the same height as the base of the child's skull. When the seat back or the head restraint comes to at least the top of the ears, the child can not throw their head back in a crash. This support helps prevent whiplash injuries.

If the vehicle can not support the top of the child's ears you may not use this booster in backless mode and must use it in highback mode to give the child's head the support it needs.

HIGHBACK MODE: ADJUSTING THE SEAT TO FIT YOUR CHILD

The headrest and backrest adjust in 3 different ways. The three adjustments are independent of each other to ensure the best fit for kids of different sizes. Take a few minutes and try out different adjustments until you find the one that fits your child best. Kids grow quickly. Make sure to check the adjustments every 3 months. As your child grows, you will need to make the headrest and backrest taller, and widen the backrest.

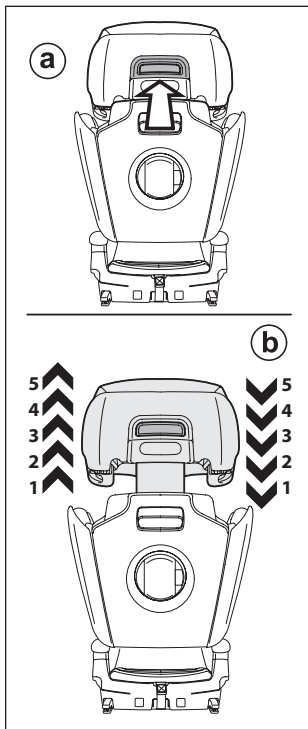
Some kids prefer a narrower backrest, others like more room for their arms. Let your child tell you what is most comfortable for them.

 IMPORTANT: When the headrest AND backrest are both in their highest positions AND the red shoulder belt guides are below the child's shoulders you must STOP using this as a highback booster. Refer to page 33 for backless mode conversion.

HIGHBACK MODE: ADJUSTING THE SEAT TO FIT YOUR CHILD

1. *Headrest height*

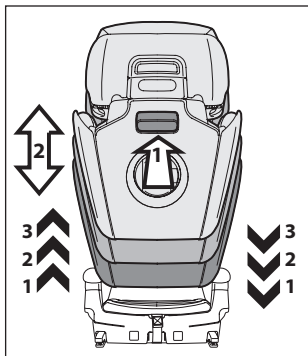
The headrest has 5 positions. Squeeze the handle (a) on the back of the headrest and at the same time raise or lower the headrest (b). Make sure the headrest clicks into place by trying to move it without touching the handle. Make sure the red shoulder belt guides are always at, or up to 1 inch above, the child's shoulders (see page 32).



HIGHBACK MODE: ADJUSTING THE SEAT TO FIT YOUR CHILD

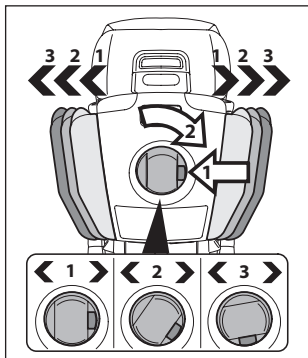
2. *Backrest height*

The height of the backrest has 3 positions. Squeeze the handle (1) on the back of backrest and at the same time raise or lower the backrest (2). Make sure the backrest clicks into place by trying to move it without touching the handle.



3. *Backrest width*

The width of the backrest has 3 settings. Push the button on the side of the knob (1) and at the same time turn the knob (2) clockwise to make the backrest wider. To narrow the backrest, turn the knob counter-clockwise.




HIGHBACK MODE: INSTALLING THE BOOSTER SEAT IN THE VEHICLE

Please read “Rigid LATCH: Why to Use It” (see page 18).

If you choose not to use the rigid LATCH:

- Skip to “Highback Mode: Buckling your Child in the Booster” (see page 29).

 IMPORTANT: because your booster is not secured to the vehicle it can become a projectile when the child is not in it. Therefore, make sure you buckle the booster when it is empty so it does not become a projectile.

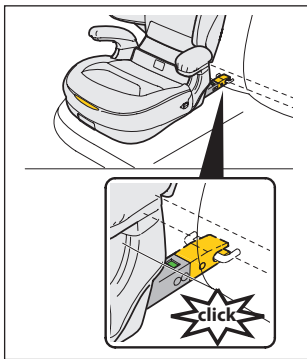
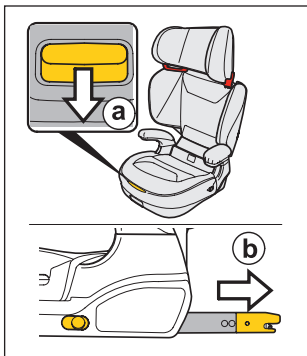
If you choose to use the rigid LATCH, follow the instructions below.

HIGHBACK MODE: SECURING THIS BOOSTER WITH RIGID LATCH

Find the lower anchors in your vehicle (see "LATCH - What is it and where is it in the vehicle?" - see page 16)

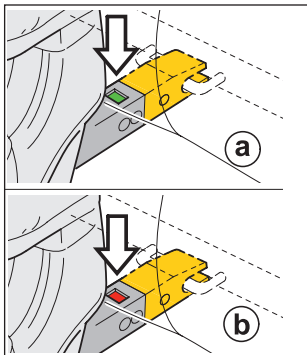
1. Squeeze the yellow handle (a) at the front of the booster. Both yellow rigid LATCH connectors will pop out (b) at the same time. Squeeze the yellow handle once more to make sure both connectors popped out all the way .

2. Align the yellow rigid LATCH connectors with the lower anchors in the vehicle's seat crease. Connect by pushing the booster towards the back of the vehicle seat.

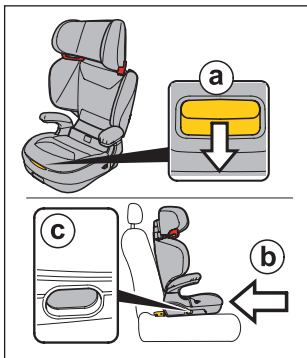


HIGHBACK MODE: SECURING THIS BOOSTER WITH RIGID LATCH

3. Check that there is green in both indicator windows. Green (a) means the rigid LATCH connectors are securely connected to the vehicle's lower anchors. Red (b) means the booster is not connected to the vehicle's lower anchors.



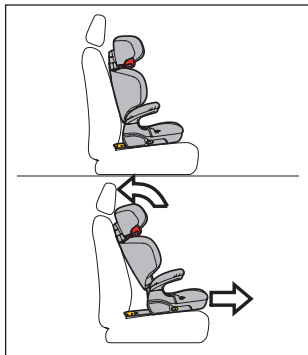
4. Pull the yellow handle at the front of the booster (a) again. At the same time, push the booster against the back of the vehicle seat (b). This will hide the release buttons (c) for the rigid LATCH connectors. This will prevent someone from accidentally disconnecting the rigid LATCH.



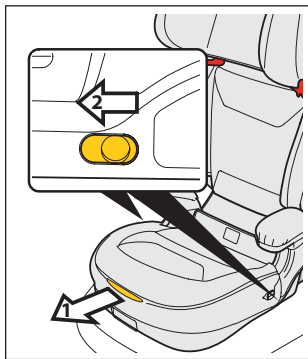
HIGHBACK MODE: SECURING THIS BOOSTER WITH RIGID LATCH

5. You may recline this highback booster seat. Squeeze the yellow handle and pull the booster seat towards you to create the recline that is best for your child.

You may need to adjust or remove the vehicle's head restraint to allow this booster seat to fit best. If you remove your vehicle's head restraint, be sure to store it away from the vehicle.

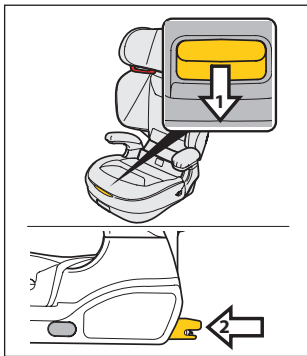


6. To disconnect the booster seat squeeze the yellow handle at the front of the booster (1) and pull the booster seat towards you until the yellow release buttons on the side of the base are fully revealed. Pull both yellow release buttons at the same time (2) until you hear the rigid LATCH connectors open.



HIGHBACK MODE: SECURING THIS BOOSTER WITH RIGID LATCH

7. To store the rigid LATCH connectors inside the booster seat, squeeze the yellow handle and at the same time push the yellow rigid LATCH connectors into the booster until they disappear.



⚠ IMPORTANT: Make sure the booster does not sit on top of the seat belt hardware or webbing for its seat or a neighboring seat. If the booster sits on top of the hardware or webbing, stop using the rigid LATCH and reposition the booster seat. If it still sits on top of the hardware or webbing, move the booster to a different seating position. If you need further help, check your vehicle owner's manual and/or contact Peg Perego Customer Service at 1-800-671-1701.

HIGHBACK MODE: BUCKLING YOUR CHILD IN THE BOOSTER

⚠ IMPORTANT: Make sure to remove bulky or puffy jackets because they can make the seat belt too loose on the child's body during a crash. In winter, it is safe for the child to wear thin, tight-fitting sweaters and jackets.

Have the child sit in the booster seat up straight (1) and the child must sit all the way back (2) so that his back touches the backrest of the booster. Make sure the child is not slouching. Slouching is dangerous as it puts the lap belt on the soft belly.

The red shoulder belt guides must always be at or up to 1 inch above the child's shoulders (see page 32).



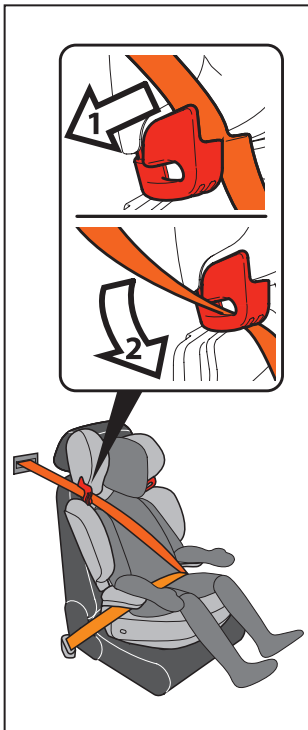
⚠ IMPORTANT: Stop using this booster in high back mode when the red shoulder belt guides can not be positioned at or above the child's shoulders with the head rest and back rest in their highest positions.

HIGHBACK MODE: BUCKLING YOUR CHILD IN THE BOOSTER

1. Slide the shoulder belt into the red shoulder belt guide that is on the same side as where the vehicle's shoulder belt comes from. Make sure the shoulder belt is completely inside the red guide and can not slip out. NEVER use both red shoulder belt guides at the same time.

Route the lap belt under both armrests.

Why? When the lap belt goes under both armrests, the armrests keep the lap belt on the strong hip bones. When the lap belt goes over an armrest the lap belt puts the crash forces on the child's soft belly which causes serious injuries.

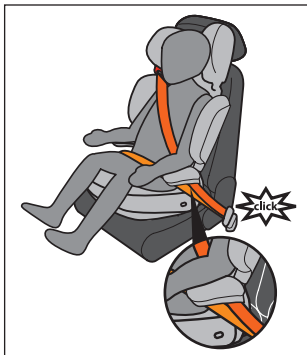


HIGHBACK MODE: BUCKLING YOUR CHILD IN THE BOOSTER

2. Route the shoulder belt under the armrest next to the seat belt buckle.

Never place the shoulder belt under both armrests.

Buckle the seat belt. Make sure the seat belt clicks in.



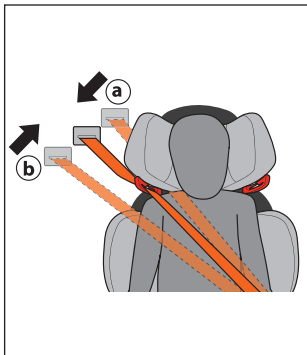
3. Pull upwards on the shoulder belt to remove slack in the lap belt as shown in the picture.

The lap belt must be snug across the child's thighs. The shoulder belt should lie flat across the child's chest and rest between the neck and the shoulder.

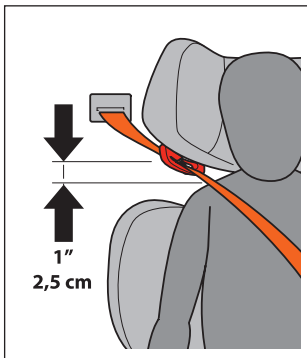


HIGHBACK MODE: BUCKLING YOUR CHILD IN THE BOOSTER

4. If the shoulder belt rubs the child's neck (a) or is on the side of the arm (b), make sure you have the headrest and backrest adjusted correctly for your child's height (see page 23).



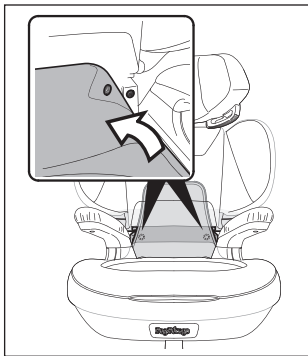
The red shoulder belt guide must be at or slightly above the shoulder (maximum 1" - 2.5 cm).



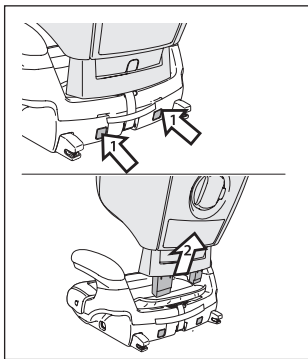
CONVERTING FROM HIGHBACK TO BACKLESS MODE

Please refer to “Modes of Use: Highback and Backless” (see page 19) to understand more about the different modes and why to choose one over the other.

1. Unbutton the two buttons in the fabric cover.

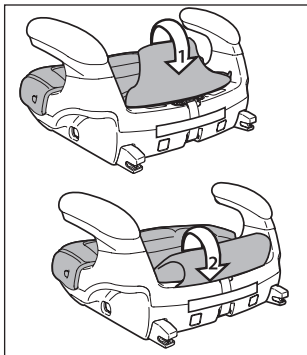


2. Push the two buttons (1) and at the same time pull the backrest up (2).

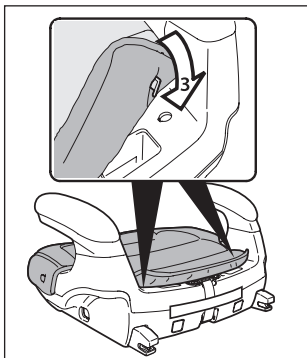


CONVERTING FROM HIGHBACK TO BACKLESS MODE

3. Rotate the fabric flap (1) so that it is under the fabric cover (2).



4. Insert the two hooks in the fabric cover into the holes in the booster seat (3).




BACKLESS MODE: INSTALLING THE BACKLESS BOOSTER SEAT IN THE VEHICLE

Please read “Rigid LATCH: Why to Use It” (see page 18).

If you choose not to use the rigid LATCH:

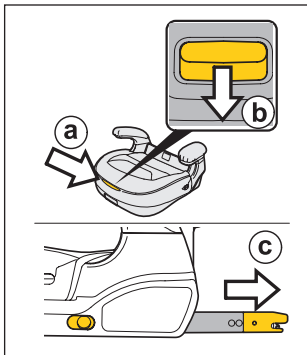
- Skip to “Backless Mode: Buckling your Child in the Booster”.

 IMPORTANT: because your booster is not secured to the vehicle it can become a projectile when the child is not in it. Therefore, make sure you buckle the booster when it is empty so it does not become a projectile.

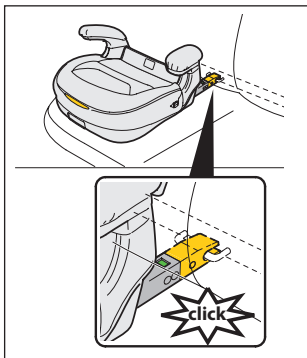
If you choose to use the rigid LATCH, follow the instructions below.

BACKLESS MODE: SECURING THIS BOOSTER WITH RIGID LATCH IN THE VEHICLE

1. Squeeze (b) the yellow handle at the front of the booster (a). Both yellow rigid LATCH connectors will pop out (c) at the same time. Squeeze the yellow handle once more to make sure both connectors popped out all the way.

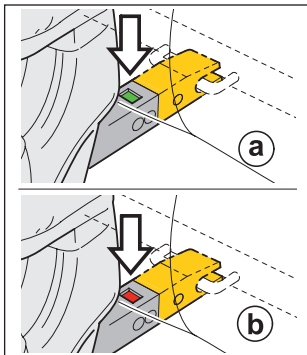


2. Align the yellow rigid LATCH connectors with the lower anchors in the vehicle's seat crease and connect by pushing the booster towards the back of the vehicle seat.

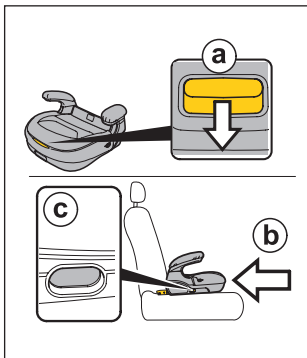


BACKLESS MODE: SECURING THIS BOOSTER WITH RIGID LATCH IN THE VEHICLE

3. Check that there is green in both indicator windows. Green (a) means the rigid LATCH connectors are securely connected to the vehicle's lower anchors. Red (b) means the booster is not connected to the vehicle's lower anchors.

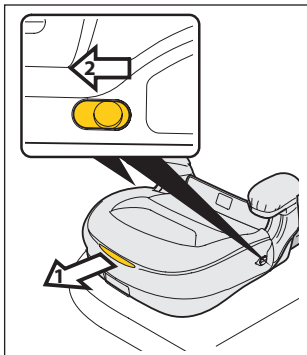


4. Pull the yellow handle at the front of the booster (a) again. At the same time, push the booster against the back of the vehicle seat (b). Make sure the booster touches the back of the vehicle seat.

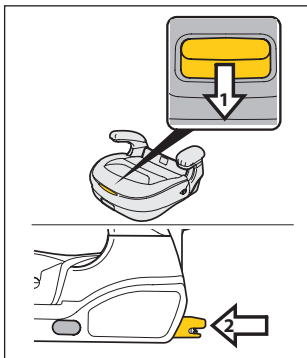


BACKLESS MODE: SECURING THIS BOOSTER WITH RIGID LATCH IN THE VEHICLE

5. To disconnect the booster seat squeeze the yellow handle at the front of the booster (1) and pull the booster seat towards you until the yellow release buttons on the side of the base are fully revealed. Pull both yellow release buttons at the same time (2) until you hear the rigid LATCH connectors open. Now, you can remove the booster seat.



6. To store the rigid LATCH connectors inside the booster seat, squeeze the yellow handle and at the same time push the yellow rigid LATCH connectors into the booster until they disappear.



BACKLESS MODE: SECURING THIS BOOSTER WITH RIGID LATCH IN THE VEHICLE

⚠ IMPORTANT: Make sure the booster is properly positioned in the vehicle. The booster must touch the back of the vehicle seat.

Make sure the booster does not sit on top of the seat belt hardware or webbing for its seat or a neighboring seat. If the booster sits on top of the hardware or webbing, stop using the rigid LATCH and reposition the booster seat. If it still sits on top of the hardware or webbing, move the booster to a different seating position. If you need further help, check your vehicle owner's manual and/or contact Peg Perego Customer Service at 1-800-671-1701.

BACKLESS MODE: BUCKLING YOUR CHILD IN THE BOOSTER

⚠️ IMPORTANT: Make sure to remove bulky or puffy jackets because they can make the seat belt too loose on the child's body during a crash. In winter, it is safe for your child to wear thin, tight-fitting sweaters and jackets.

⚠️ IMPORTANT: Make sure some part of the vehicle - either the seat back or the head restraint - comes to at least the top of the child's ears. Many head restraints are adjustable in height by pulling them upwards.

Why? The top of the ears is the same height as the base of the child's skull. When the seat back or the head restraint comes to at least the top of the ears, the child can not throw their head back in a crash. This support helps prevent whiplash injuries.

If the vehicle can not support to the top of the child's ears you may not use this booster in backless mode. You must use this as a highback booster to give the child's head the support it needs.

BACKLESS MODE: BUCKLING YOUR CHILD IN THE BOOSTER

1. Have the child sit in the booster seat up straight (1) and the child must sit all the way back (2) so that his back touches the backrest of the vehicle seat. Make sure the child is not slouching. Slouching is dangerous as it puts the lap belt on the soft belly.



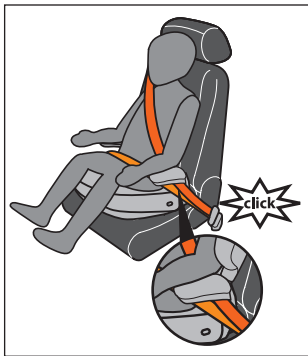
2. Route the lap and shoulder belt as shown in the picture. **Route the lap belt under both armrests.**

Why? When the lap belt goes under both armrests, the armrests keep the lap belt on the strong hip bones. When the lap belt goes over an armrest the lap belt puts the crash forces on the child's soft belly which causes serious injuries.



BACKLESS MODE: BUCKLING YOUR CHILD IN THE BOOSTER

3. Route the shoulder belt under the armrest next to the seat belt buckle, but never under both armrests. Buckle the seat belt. Make sure the seat belt clicks in.

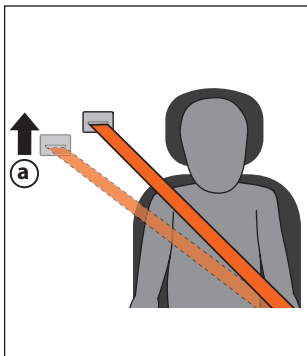


4. Pull upwards on the shoulder belt to remove slack in the lap belt. The lap belt must be snug across the child's thighs. The shoulder belt should lie flat across the child's chest and rest between the neck and the shoulder.



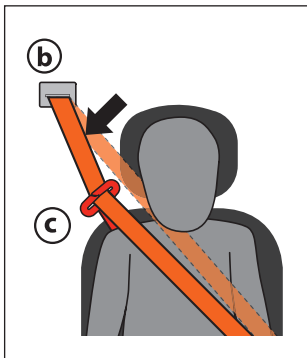
BACKLESS MODE: BUCKLING YOUR CHILD IN THE BOOSTER

5. If the shoulder belt is on the side of the arm (a), the shoulder belt can not protect the child properly. See if your vehicle has a height adjustable shoulder belt. If it does, raise the shoulder belt. Otherwise, use this booster in highback mode, or choose a different seating position in the vehicle.



If the shoulder belt rubs the child's neck (b), use the shoulder belt positioning clip provided with this booster seat.

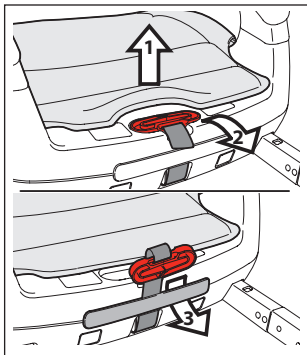
The clip can make shorter kids more comfortable by pulling the shoulder belt off their neck (c).



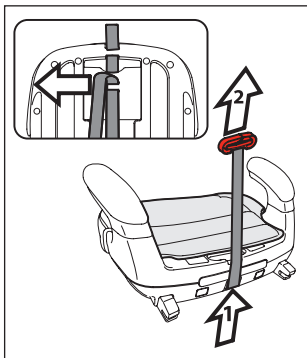
WHEN AND HOW TO USE THE SHOULDER BELT POSITIONING CLIP

To properly use the shoulder belt positioning clip follow the instructions below.

1. The shoulder belt positioning clip is stored under the fabric cover of the seat. Lift the cover (1) and pull the red clip out (2). Next, pass the red clip through the handle (3).

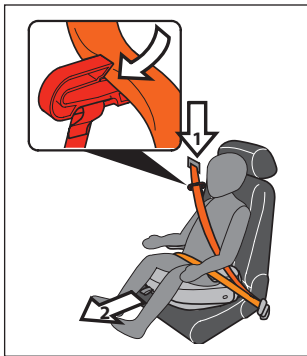


2. Pull the strap out from under the booster seat. Make the strap as long as possible. Push the button at the back of the booster seat that is hidden by the strap (1) and at the same time pull the strap up as far as it goes (2).

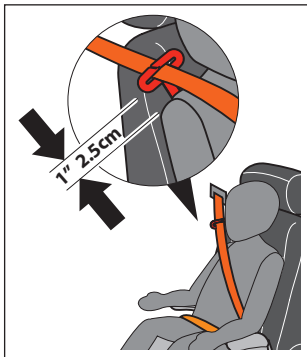


WHEN AND HOW TO USE THE SHOULDER BELT POSITIONING CLIP

3. Slide the shoulder belt into the red shoulder belt positioning clip (1) and pull the strap at the front of the booster (2) to lower the red clip.

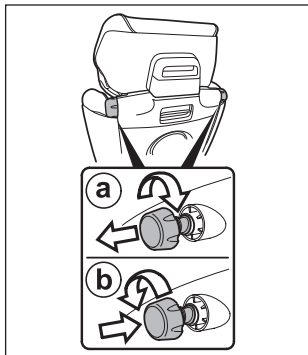


4. Stop pulling the strap when the red clip is about 1 inch (2.5 cm) above the child's shoulder. The shoulder belt should rest comfortably between the child's neck and shoulder. The shoulder belt should never rest on the side of the arm.



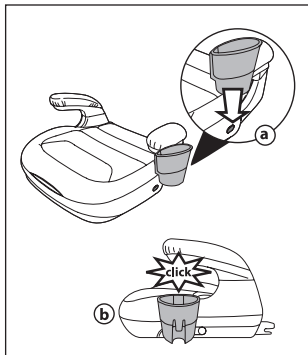
KINETIC PODS

The booster seat is fitted with Kinetic Pods, to ensure greater safety in the event of a side impact. Once you have positioned the booster in the car, pull out **COMPLETELY** the Kinetic Pod situated on the side **FACING THE CAR DOOR** by turning it clockwise (fig_a). To return the Pod to its initial position, rotate it counter-clockwise (fig_b). **IMPORTANT:** Make sure the Kinetic Pod situated on the side facing the inside of the car is never pulled out.



CUP HOLDER

This booster seat comes with a cup holder. Place the cup holder on the mushroom button, present on either side of the seat (a), and secure it in place (b). Never put hot drinks in the cup holder.



CLEANING AND MAINTENANCE

Cleaning the Plastic & Metal Parts:

It is important to keep all moving parts clean. Use a damp cloth to clean the plastic parts. Use a dry cloth on the yellow lower anchor connectors. Do not use water on the yellow lower anchor connectors - as you don't want them to rust.

Never use chemicals or solvents on any part of this booster seat.

Cleaning the Fabric:

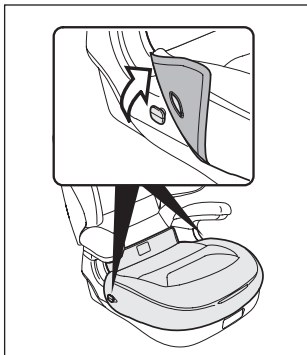
The entire fabric cover - the parts on the seat, the backrest, and head rest - can all be removed and machine washed at 87° F (30° C). Hang the fabric covers to dry. Do not put the fabric covers in the dryer. Do not iron, bleach, or dry clean the fabric covers.

Follow the instructions below to remove the fabric and put it back on properly. There are energy absorbing white foam panels under the cover that are there to protect your child in a crash. Be careful when removing the padding to avoid breaking the energy absorbing panels.

CLEANING AND MAINTENANCE

Removing the fabric cover from the seat:

1. Unbutton the two buttons on the side of the seat

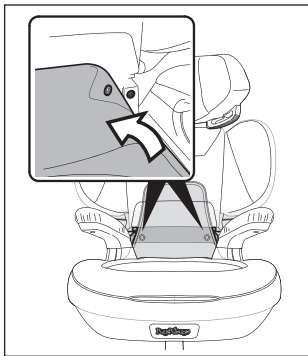


2. Unhook the two elastics.



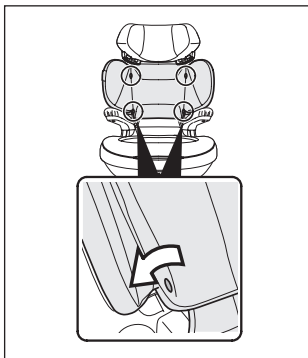
CLEANING AND MAINTENANCE

3. Unbutton the two buttons.



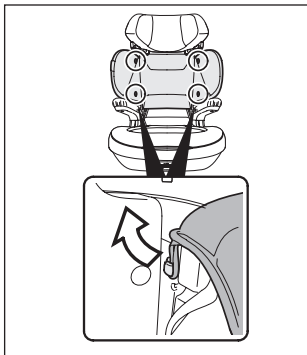
Removing the fabric cover from the backrest:

1. Widen the side wings by turning the knob at the back of the booster. Then, remove the four eyelets from the plastic buttons on the sides of the backrest.

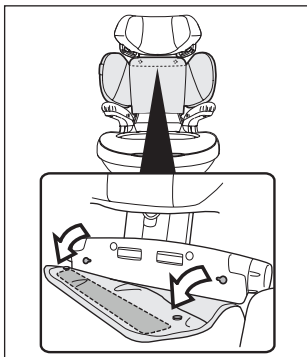


CLEANING AND MAINTENANCE

2. Unhook the four elastics (two on the top, two on the bottom).



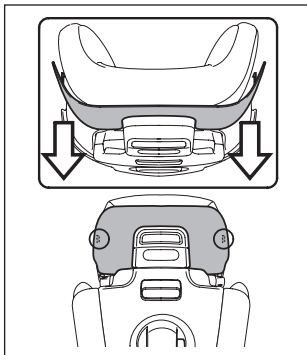
3. Release the upper part of the backrest and pull out the rigid strip from inside the lining. To facilitate this operation, raise the headrest. At this point you can remove the lining from the booster's backrest.



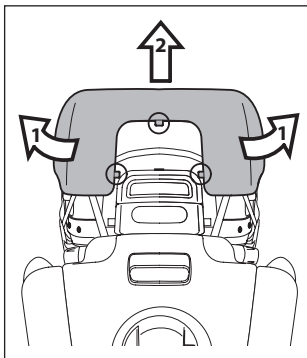
CLEANING AND MAINTENANCE

Removing the fabric from the headrest:

1. Unhook the two side hooks to remove the plastic cover on the back of the headrest.

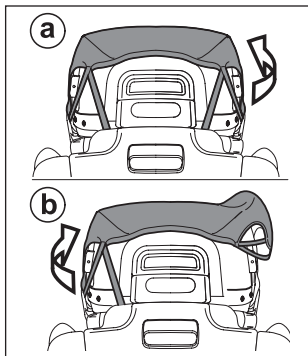


2. Release the bottom (1) and top (2) as shown.



CLEANING AND MAINTENANCE

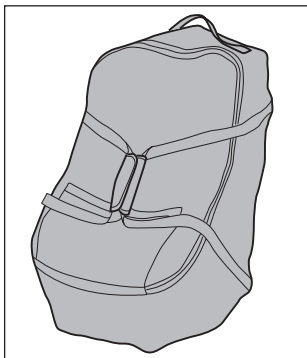
3. Release the two elastics on one side (a) and then on the other (b) to remove the fabric cover on the headrest.



To put the cover back on, simply reverse the above steps.

Accessories

Travel Bag Car Seat: This practical travel bag keeps the booster seat clean.

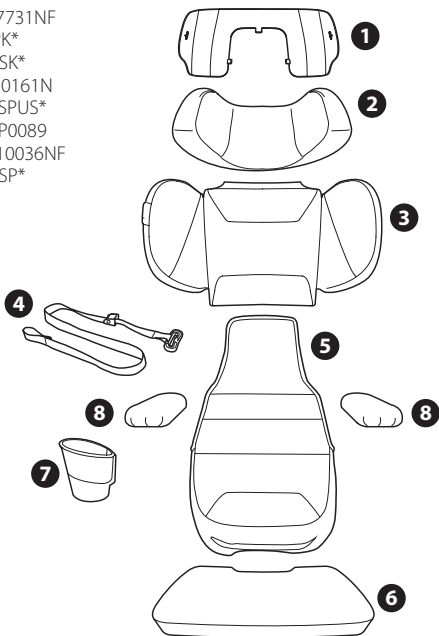


Ac
Bo
tra

- F
SC

Replacement Parts

- 1) SPST7731NF
- 2) BRISPK*
- 3) BSCVSK*
- 4) MUCI0161N
- 5) BSAVSPUS*
- 6) MMSP0089
- 7) SPST10036NF
- 8) BBRVSP*



NOTE: Spare parts available in different colors* to be specified when ordering.

EN_English

Declaration of Conformity

Product name

VIAGGIO SHUTTLE PLUS 120

Product reference number

IMVS01US35---

Reference standards (origin)

FMVSS 571-213 (USA)

Declaration of conformity

Peg Perego S.p.A. declares under its sole responsibility that the article to which this declaration relates has undergone internal testing and has been approved, in accordance with regulations in force, by external, independent testing laboratories.

Date and place of issue

Arcore, March 2018

Peg Perego S.p.A.
Via A. De Gasperi, 50
20862 Arcore (MB) - ITALY

ES_Español

Declaración de Conformidad

Denominación del producto

VIAGGIO SHUTTLE PLUS 120

Código de identificación del producto

IMVS01US35---

Normativas de referencia (origen)

FMVSS 571-213 (USA)

Declaración de conformidad

Peg Perego S.p.A. declara bajo su propia responsabilidad que el artículo considerado ha sido sometido a ensayos propios y ha sido certificado por laboratorios externos e independientes de conformidad con las normas vigentes.

Fecha y lugar de expedición

Arcore, Marzo 2018

Peg Perego S.p.A.
Via A. De Gasperi, 50
20862 Arcore (MB) - ITALIA

EN_English

Declaration of Conformity

Product name
VIAGGIO SHUTTLE PLUS 120

Product reference number
IMVS01US35---

Reference standards (origin)
FMVSS 571-213 (USA)

Declaration of conformity
Peg Perego S.p.A. declares
under its sole responsibility
that the article to which this
declaration relates has
undergone internal testing
and has been approved, in
accordance with regulations in
force, by external, independent
tasting laboratories.

Date and place of issue
Arcore, March 2018

Peg Perego S.p.A.
Via A. De Gasperi, 50
20862 Arcore (MB) - ITALY

ES_Espanol

Declaración de Conformidad

Denominación del producto
VIAGGIO SHUTTLE PLUS 120

**Código de identificación del
producto**
IMVS01US35---

**Normativas de referencia
(origen)**
FMVSS 571-213 (USA)

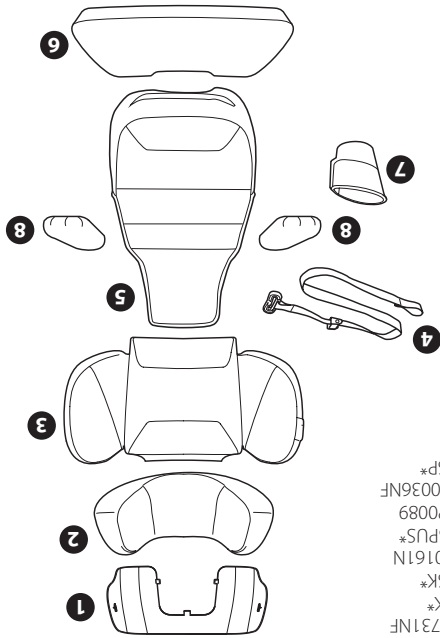
Declaración de conformidad
Peg Perego S.p.A. declara bajo
su propia responsabilidad
que el artículo considerado
ha sido sometido a ensayos
por laboratorios externos
e independientes de
conformidad con las normas
vigentes.

Fecha y lugar de expedición
Arcore, Marzo 2018

Peg Perego S.p.A.
Via A. De Gasperi, 50
20862 Arcore (MB) - ITALIA

PIEZAS DE REPUESTO

- 1) SPST7731NF
- 2) BRISPK*
- 3) BSCVSK*
- 4) MUCI0161N
- 5) BSAVSPUS*
- 6) MMSF0089
- 7) SPST10036NF
- 8) BBRVSP*

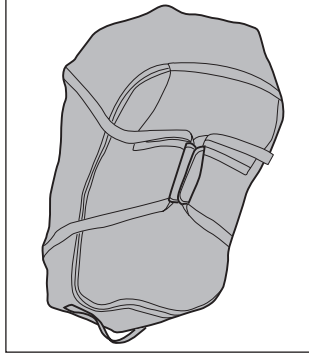
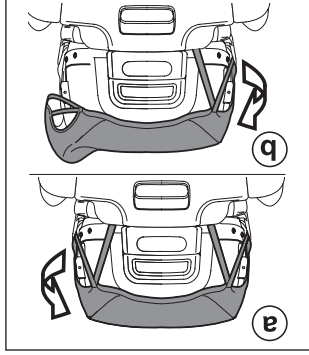


NOTA: cuando haga su pedido especifique los colores* de las piezas de repuesto.

LIMPIEZA Y MANTENIMIENTO

3. Libere los dos elásticos de un lado (fig_a) y después del otro (fig_b) para retirar el revestimiento de tela del reposacabezas.

Para volver a poner el revestimiento, lleve a cabo el mismo procedimiento a la inversa.

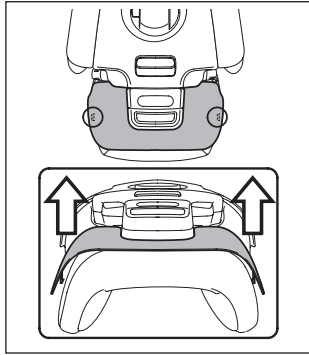


Accesorios
Travel Bag Car Seat: Esta práctica bolsa de viaje mantiene limpio el asiento elevado.

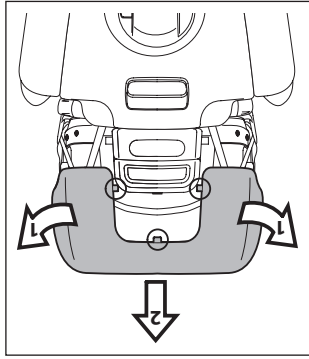
LIMPIEZA Y MANTENIMIENTO

*Desmontaje
del
revestimiento de tela del
reposacabezas:*

1. Desenganche los dos
ganchos laterales para
retirar la cubierta de plástico
de la parte posterior del
reposacabezas.

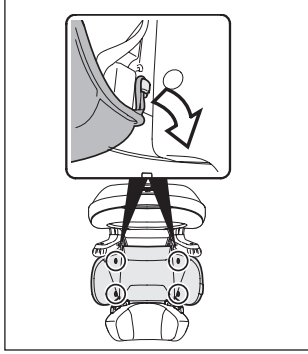


2. Libere la parte inferior
(1) y superior (2) como se
muestra.

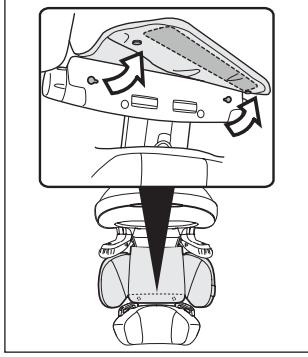


LIMPIEZA Y MANTENIMIENTO

2. Desenganche los cuatro elásticos (dos en la parte superior, dos en la parte inferior).

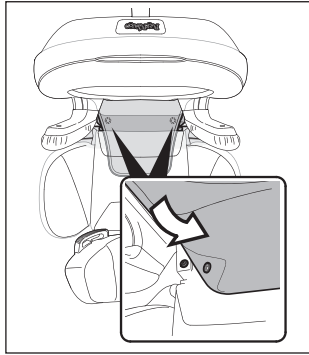


3. Desenganchar la parte superior del respaldo y sacar el listón rígido que se encontrará en el interior del revestimiento. Para facilitar esta operación, alce el reposacabezas. Ahora es posible retirar el revestimiento del respaldo del asiento elevado.



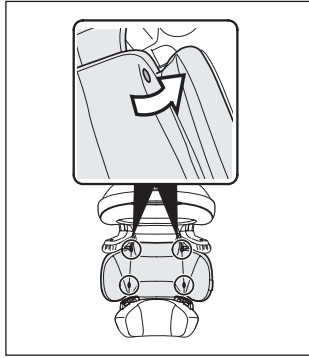
LIMPIEZA Y MANTENIMIENTO

3. Desabotone los dos botones.



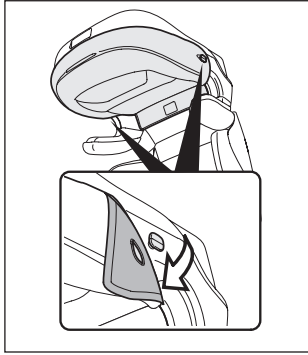
Desmontaje de revestimiento de tela del respaldo:

1. Ensanche las alas laterales girando el pomo de la parte posterior del asiento elevado. A continuación, retire los cuatro ojales de los lados del respaldo.



LIMPIEZA Y MANTENIMIENTO

Desmontaje del revestimiento de tela del asiento:
1. Desabotone los dos botones del lado del asiento.



2. Desenganche los dos elásticos.



LIMPIEZA Y MANTENIMIENTO

Limpieza de los componentes de plástico y metal:

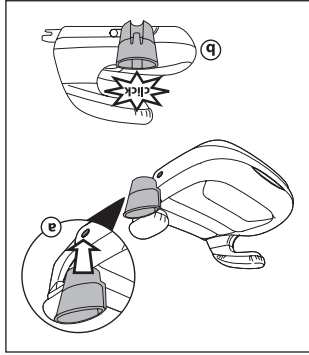
Es importante mantener todos los componentes móviles limpios. Use un paño húmedo para limpiar las partes de plástico. Use un paño seco en los conectores amarillos del anclaje inferior. No use agua en los conectores amarillos del anclaje inferior, puesto que podrían oxidarse. No use nunca productos químicos o disolventes en ninguna parte de este asiento elevado.

Limpieza del revestimiento de tela:

Todo el revestimiento de tela, las partes del asiento, respaldo y reposacabezas, pueden retirarse y lavarse en la lavadora a 87 °F (30 °C). Cuelgue el revestimiento de tela para que se seque. No ponga el revestimiento de tela en la secadora. No planche, use lejía ni lave en seco el revestimiento de tela.

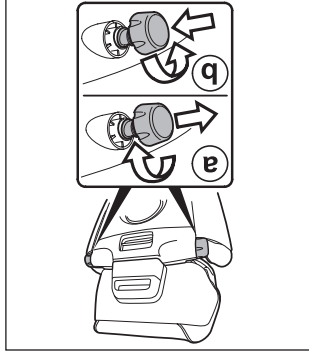
Siga las instrucciones siguientes para retirar el revestimiento de tela y volverlo a colocar correctamente. Los paneles de espuma blanca que absorben energía sirven para proteger al niño en caso de accidentes y están debajo del revestimiento. Tenga cuidado al quitar el relleno para no romper los paneles que absorben energía.

PORTAVASOS



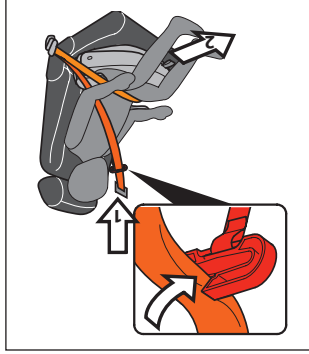
Este asiento elevado está provisto de un portavasos. Coloque el portavasos en el botón de hongo que está en uno de los lados del asiento (a) y fíjelo en su lugar (b). No ponga nunca bebidas calientes en el portavasos.

KINETIC PODS

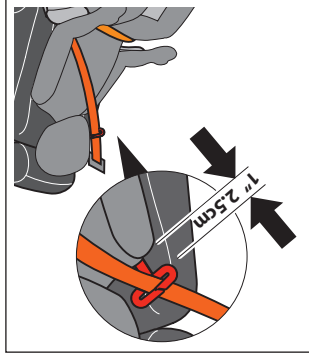


Este asiento elevado está equipado con Kinetic Pods para garantizar una mayor seguridad en caso de impacto lateral. Después de colocar el asiento elevado para auto, es necesario extraer TOTALMENTE, y girándolo en sentido horario, SOLO el Kinetic Pod situado en el lateral que da a la puerta del automóvil (fig._a). Para volver a colocar el Pod en su posición inicial, hay que girarlo en sentido antihorario (fig._b). IMPORTANTE: asegúrese de que el Kinetic Pod situado en el lateral que da al interior del automóvil esté siempre en posición cerrada.

CUÁNDO Y CÓMO USAR EL GANCHO DE POSICIONAMIENTO DEL CINTURÓN DE HOMBRO

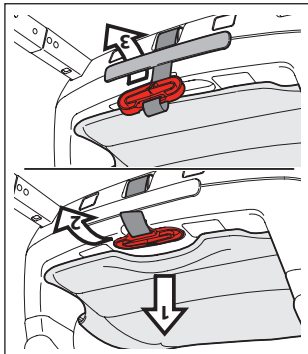


3. Deslice el cinturón de hombro en el gancho de la correa de hombro (1) y tire de la correa de la parte delantera del asiento elevado (2) para bajar el gancho rojo.



4. Deje de tirar de la correa cuando el gancho rojo está aproximadamente a 1 pulgada (2,5 cm) por encima del hombro del niño. El cinturón de la correa debe apoyarse cómodamente entre el cuello y el hombro del niño. El cinturón de hombro no debe permanecer nunca al lado del brazo.

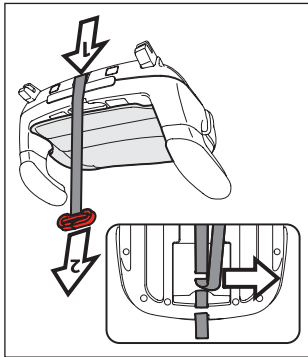
CUÁNDO Y CÓMO USAR EL GANCHO DE POSICIONAMIENTO DEL CINTURÓN DE HOMBRO



Para usar correctamente el gancho de posicionamiento del cinturón de hombro, siga las instrucciones siguientes.

1. El gancho de posicionamiento del cinturón de hombro está guardado debajo del revestimiento de tela del asiento. Levante el revestimiento (1) y tire del gancho rojo hacia fuera (2). Después, pase el gancho rojo a través de la manilla (3).

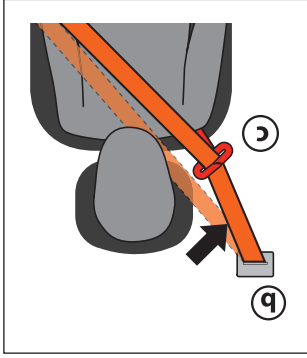
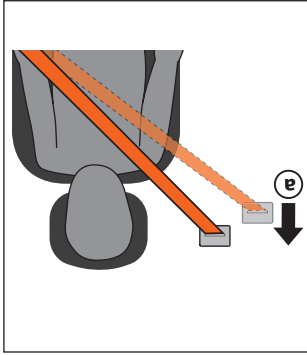
2. Saque la correa de debajo del asiento elevado. Haga la correa lo más larga posible. Empuje el botón de la parte posterior del asiento elevado que está oculto por la correa (1) y el mismo tiempo tire de la correa hacia arriba lo más que se pueda (2).



SIN RESPALDO: ABROCHAR EL CINTURÓN DE SEGURIDAD AL NIÑO EN EL ASIENTO ELEVADO

5. Si el cinturón de hombro está a un lado del brazo (a), el cinturón de hombro no protege al niño correctamente. Vea si el vehículo cuenta con un cinturón de hombro de altura ajustable. Si es así, suba el cinturón de hombro. De lo contrario, use este asiento elevado con el respaldo alto o elija un asiento distinto en el vehículo.

Si el cinturón de hombro roza el cuello del niño (b), use el gancho de colocación del cinturón de hombro que se suministra con este asiento elevado. El gancho sirve para que los niños más pequeños estén más cómodos puesto que les quita el cinturón de hombro del cuello (c).



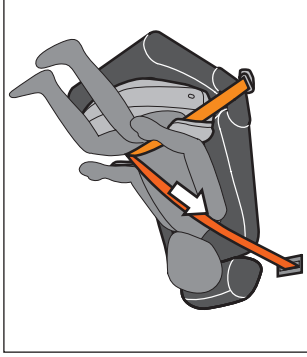
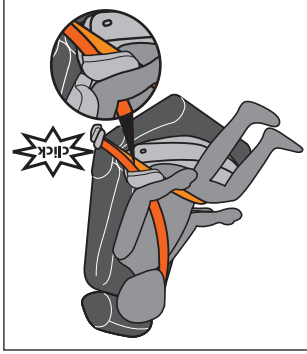
SIN RESPALDO: ABROCHAR EL CINTURÓN DE SEGURIDAD AL NIÑO EN EL ASIENTO ELEVADO

impacto en el vientre blando del niño y esto causa lesiones graves.

3. Coloque el cinturón de hombro debajo del reposabrazos cerca del broche del cinturón de seguridad del asiento, nunca debajo de ambos reposabrazos.

Abroche el cinturón de seguridad del asiento. Asegúrese de que el cinturón de seguridad del asiento emite un chasquido.

4. Pull upwards on the shoulder belt to remove slack in the lap belt. The lap belt must be snug across the child's thighs. The shoulder belt should lie flat across the child's chest and rest between the neck and the shoulder.

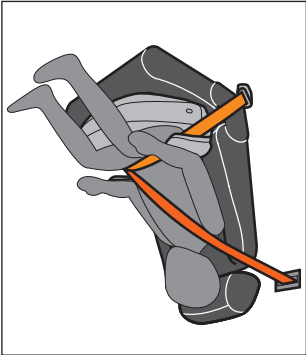
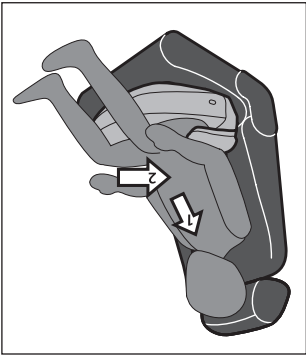


SIN RESPALDO: ABROCHAR EL CINTURÓN DE SEGURIDAD AL NIÑO EN EL ASIENTO ELEVADO

1. Haga que el niño se siente en el asiento elevado derecho (1) y completamente hacia atrás (2) de modo que la espalda toque el respaldo del asiento del vehículo. Asegúrese de que el niño no se encorva. Enconvarse es peligroso puesto que el cinturón de regazo queda en la parte blanda del vientre.

2. Gire el cinturón de regazo y de hombro como se muestra en la figura. **Coloque el cinturón de regazo debajo de los dos reposabrazos.**

¿Por qué? Cuando el cinturón de regazo pasa por debajo de los dos reposabrazos, los reposabrazos mantienen el cinturón de regazo en los huesos más fuertes de la cadera. Cuando el cinturón de regazo se coloca sobre un reposabrazos el cinturón de regazo pone las fuerzas del



SIN RESPALDO: ABROCHAR EL CINTURÓN DE SEGURIDAD AL NIÑO EN EL ASIENTO ELEVADO

¡IMPORTANTE: Cerciórese de haber quitado al niño chaquetas abultadas o acolchadas porque hacen que el cinturón de seguridad del asiento esté demasiado flojo en el cuerpo del niño durante un accidente. En invierno, es más seguro que el niño use chaquetas y suéteres delgados y ceñidos.

¡IMPORTANTE: Asegúrese de que una parte del vehículo, ya sea el respaldo del asiento o el dispositivo de contención de la cabeza, sobresalga por lo menos hasta la parte superior de las orejas del niño. Muchos de los dispositivos de contención para la cabeza son de altura ajustable, tirándolos hacia arriba.

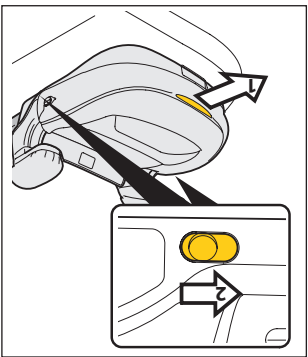
¿Por qué? La parte superior de las orejas está la misma altura de la base del cráneo del niño. Cuando el respaldo del asiento o el dispositivo de contención de la cabeza sobresale por lo menos hasta la parte superior de las orejas, el niño no puede tirar la cabeza hacia atrás en un accidente. Este soporte ayuda a evitar las lesiones por latigazo. Si el vehículo no sujeta la parte superior de las orejas del niño no debe usar este asiento elevado sin respaldo. Debe usar este asiento elevado con el respaldo alto para dar a la cabeza del niño la sujeción que necesita.

SIN RESPALDO: FIJACIÓN DEL ASIENTO ELEVADO CON LATCH RÍGIDO EN EL VEHÍCULO

⚠️ IMPORTANTE: Asegúrese de que el asiento elevado está colocado correctamente en el vehículo. El asiento elevado debe tocar la parte posterior del asiento del vehículo.

Asegúrese de que el asiento elevado no está colocado sobre el equipo de correas del asiento o correas de su asiento o de un asiento cercano. Si el asiento está colocado sobre el equipo o las correas, deje de usar el LATCH rígido y vuelva a colocar el asiento elevado. Si sigue estando colocado sobre el equipo o las correas, traslade el asiento elevado a un asiento diferente. Si necesita más asistencia, lea el manual de propietario del vehículo y/o póngase en contacto con el servicio de asistencia el cliente de Peg Perego al 1-800-671-1701.

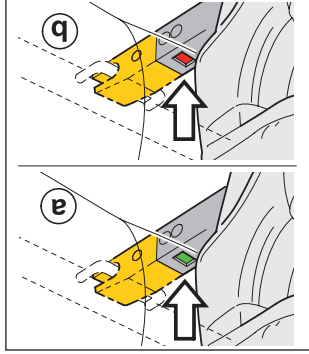
SIN RESPALDO: FIJACIÓN DEL ASIENTO ELEVADO CON LATCH RÍGIDO EN EL VEHÍCULO



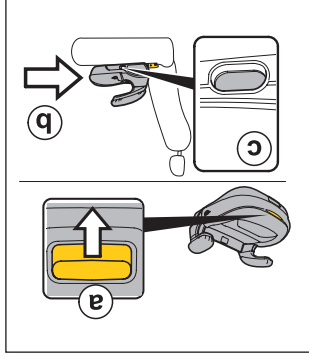
5. Para desconectar el asiento elevado, apriete la manilla amarilla de la parte delantera del asiento elevado (1) y tire de ambos botones de apertura amarillos al mismo tiempo (2) hasta que escuche los conectores rígidos LATCH se abran. Ahora puede retirar el asiento elevado.

6. Para guardar los conectores rígidos LATCH dentro del asiento elevado, apriete la manilla amarilla y el mismo tiempo empuje los conectores rígidos amarillos LATCH dentro del asiento elevado hasta que desaparezcan.

SIN RESPALDO: FIJACIÓN DEL ASIENTO ELEVADO CON LATCH RÍGIDO EN EL VEHÍCULO

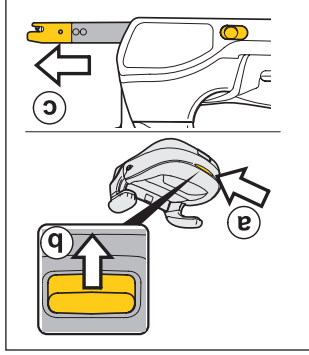


3. Compruebe que ambas ventanas de indicación son verdes. Verde (a) significa que los conectores rígidos LATCH están conectados de forma segura a los anclajes inferiores del vehículo. Rojo (b) significa que el asiento elevado no está conectado a los anclajes inferiores del vehículo.



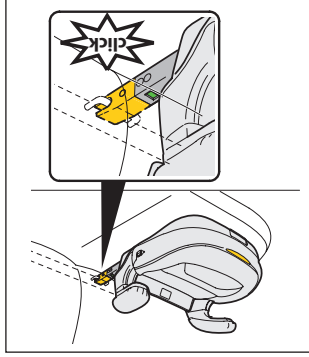
4. Vuelva a tirar de la manilla amarilla de la parte delantera del asiento elevado (a). Al mismo tiempo, empuje el asiento elevado contra la parte posterior del asiento del vehículo (b). Asegúrese de que el asiento elevado toca la parte posterior del asiento del vehículo.

SIN RESPALDO: FIJACIÓN DEL ASIENTO ELEVADO CON LATCH RÍGIDO EN EL VEHÍCULO



1. Apriete la manilla amarilla de la parte delantera del asiento elevado (a). Ambos conectores rígidos amarillos LATCH se abren (b) al mismo tiempo. Apriete la manilla amarilla una vez más para asegurarse de que ambos conectores se abrieron hasta el fondo.

2. Alinee los conectores LATCH rígidos inferiores con los anclajes inferiores del pliegue del asiento del vehículo y conéctelos empujando el asiento elevado hacia la parte posterior del asiento del vehículo.



SIN RESPALDO: MONTAJE DEL ASIENTO ELEVADO SIN RESPALDO EN EL VEHICULO

Lea el apartado "LATCH rígido: Por qué usarlo" (vea la página 19).

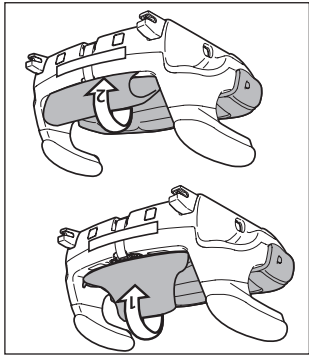
Si decide no usar el LATCH rígido:

- Salte al apartado "Sin respaldo: abrochar el cinturón de seguridad al niño en el asiento elevado";

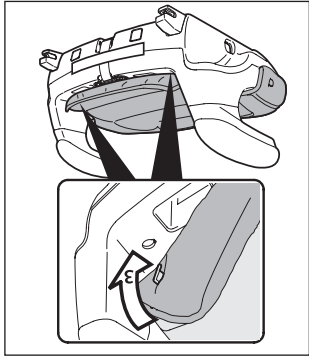
⚠ IMPORTANTE: puesto que el asiento elevado no está fijado al vehículo puede convertirse en un proyectil cuando el niño no está sentado sobre él. Por tanto, asegúrese de poner el cinturón de seguridad al asiento elevado cuando está vacío para que no se convierta en un proyectil.

Si decide usar el sistema LATCH rígido, siga las instrucciones siguientes.

CONVERSIÓN DE RESPALDO ALTO A SIN RESPALDO

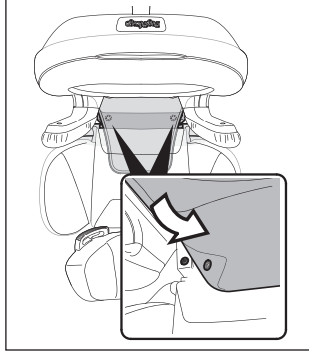


3. Gire la solapa de tela (1) de modo que esté debajo del revestimiento de tela (2).



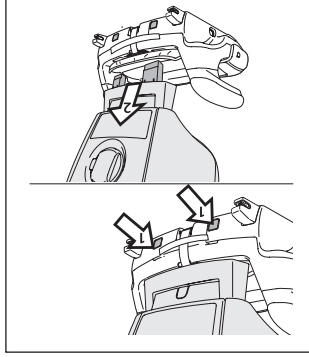
4. Inserte los dos ganchos del revestimiento de tela en los orificios del asiento elevado (3).

CONVERSIÓN DE RESPALDO ALTO A SIN RESPALDO



Consulte el apartado "Modos de uso: Respaldo alto y sin respaldo" (véase la página 18) para más información sobre los modos distintos y por qué elegir uno respecto al otro.

1. Desabotone los dos botones del revestimiento de tela.

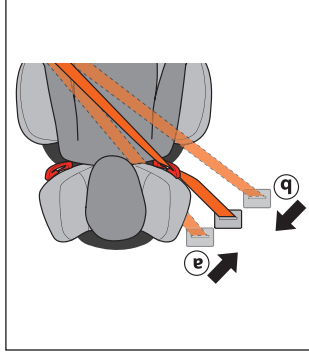


2. Empuje los dos botones (1) y al mismo tiempo tire del respaldo hacia arriba (2).

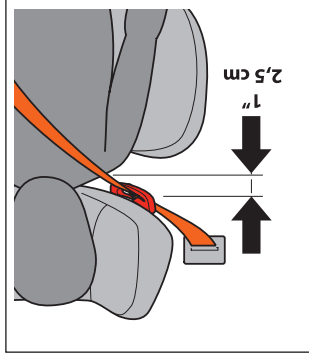
RESPALDO ALTO: ABROCHAR EL CINTURÓN DE SEGURIDAD AL NIÑO EN EL ASIENTO ELEVADO

apoyarse entre el cuello y el hombro.

4. Si el cinturón de hombro roza el cuello del niño (a) o está en la parte lateral del brazo (b), asegúrese de que el reposacabezas y el respaldo están ajustados correctamente para la altura del niño (véase la página 22).



La guía roja del cinturón de hombro debe estar sobre o ligeramente encima del hombro (máximo 1"-2,5 cm).



RESPALDO ALTO: ABRROCHAR EL CINTURÓN DE SEGURIDAD AL NIÑO EN EL ASIENTO ELEVADO

vientre blando del niño y esto causa lesiones graves.

2. Coloque el cinturón de hombro debajo del reposabrazos cerca del broche del cinturón de seguridad del asiento.

Nunca ponga el cinturón de hombro debajo de los reposabrazos. Abroche el cinturón de seguridad del asiento. Asegúrese de que el cinturón de seguridad del

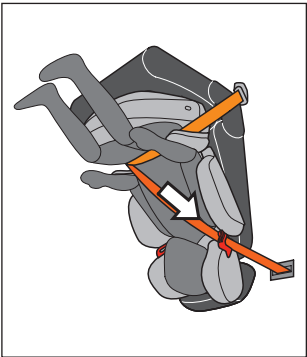
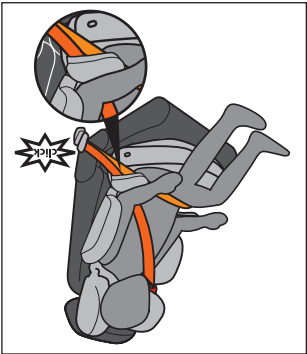
asiento emite un chasquido.

3. Tire hacia arriba el cinturón de hombro para eliminar la holgura del cinturón de regazo como se

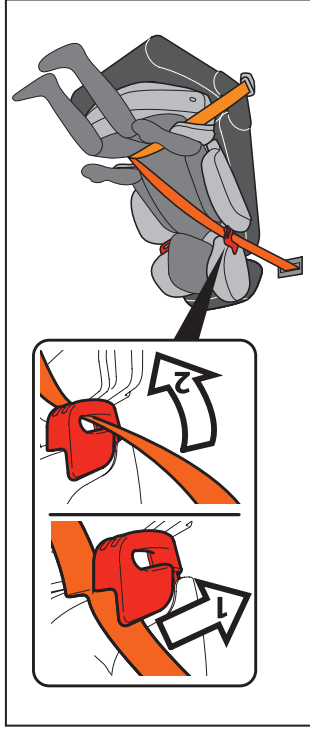
muestra en la figura.

El cinturón de regazo debe estar ceñido a través de los muslos del niño. El cinturón de hombro debe quedar plano en el pecho del niño y

33



RESPALDO ALTO: ABROCHAR EL CINTURÓN DE SEGURIDAD AL NIÑO EN EL ASIENTO ELEVADO



1. Deslice el cinturón de hombro en la guía roja del cinturón de hombro del vehículo. Asegúrese de que el cinturón de hombro está completamente dentro de la guía roja y que no puede deslizarse. NO use nunca ambas guías rojas del cinturón de hombro al mismo tiempo.

Coloque el cinturón de regazo debajo de los dos reposabrazos.

¿Por qué? Cuando el cinturón de regazo pasa por debajo de los reposabrazos, los reposabrazos mantienen el cinturón de regazo en los huesos más fuertes de la cadera. Cuando el cinturón de regazo se coloca sobre un reposabrazos el cinturón de regazo pone las fuerzas del impacto en el

**RESPALDO ALTO: ABRROCHAR EL CINTURÓN DE
SEGURIDAD AL NIÑO EN EL ASIENTO ELEVADO**

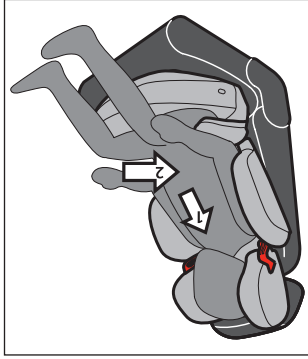
⚠️ IMPORTANTE: Deje de usar este asiento elevado con el respaldo alto cuando las guías rojas de la correa de hombro no puedan colocarse en o más arriba de los hombros del niño con el reposacabezas y el respaldo en sus posiciones más altas.

RESPALDO ALTO: ABROCHAR EL CINTURÓN DE SEGURIDAD AL NIÑO EN EL ASIENTO ELEVADO

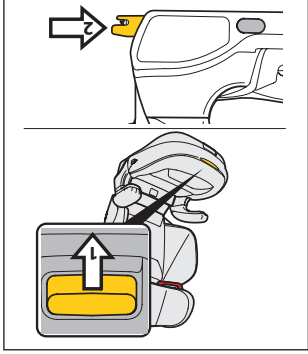
⚠️ IMPORTANTE: Cerciórese de haber quitado al niño chaquetas abutadas o acolchadas porque hacen que el cinturón de seguridad del asiento quede demasiado flojo en el cuerpo del niño durante un accidente. En invierno, es más seguro que el niño use chaquetas y suéteres delgados y ceñidos.

Haga que el niño se siente derecho en el asiento elevado (1) y completamente hacia atrás (2) de modo que la espalda toque el respaldo del asiento elevado. Asegúrese de que el niño no se encorva. Encorvarse es peligroso puesto que el cinturón de regazo queda en

la parte blanda del vientre. Las guías rojas de la correa de hombro deben estar siempre a 1 pulgada por encima o más de los hombros del niño (ver la página 34).



RESPALDO ALTO: FIJACIÓN DEL ASIENTO ELEVADO CON SISTEMA LATCH RÍGIDO

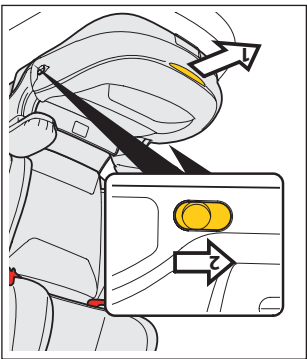
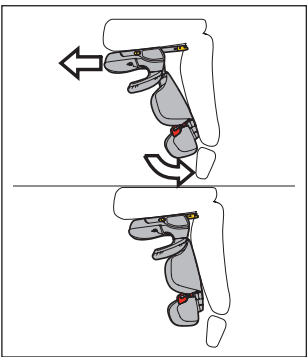


al mismo tiempo (2) hasta que escuche que los conectores rígidos LATCH se abran.

7. Para guardar los conectores rígidos dentro del asiento elevado, apriete la manilla amarilla y el mismo tiempo empuje los conectores rígidos amarillos LATCH dentro del asiento elevado hasta que desaparezcan.

⚠️ IMPORTANTE: Asegúrese de que el asiento elevado no está colocado sobre el equipo de correas del asiento o correas de su asiento o de un asiento cercano. Si el asiento está colocado sobre el equipo o las correas, deje de usar el LATCH rígido y vuelva a colocar el asiento elevado Si sigue estando colocado sobre el equipo o las correas, traslade el asiento elevado a un asiento diferente. Si necesita más asistencia, lea el manual de propietario del vehículo y/o póngase en contacto con el servicio de asistencia el cliente de Peg Perego al 1-800-671-1701.

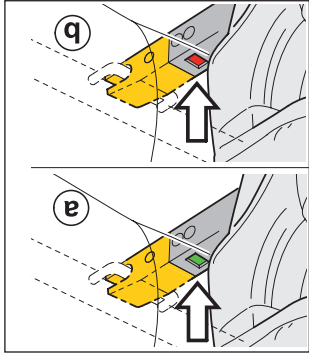
RESPALDO ALTO: FIJACIÓN DEL ASIENTO ELEVADO CON SISTEMA LATCH RÍGIDO



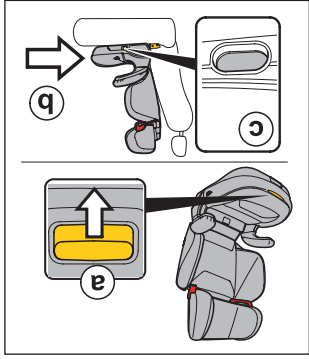
5. Este asiento elevado de respaldo alto puede reclinarsse. Apriete la manilla amarilla y tire del asiento elevado hacia sí hasta encontrar la mejor posición reclinada para el niño. Puede ser necesario ajustar o eliminar el dispositivo de contención de la cabeza del vehículo para que el asiento elevado se encaje mejor. Si retira el dispositivo de contención para la cabeza del vehículo, cerciórese de guardarlo lejos del vehículo.

6. Para desconectar el asiento elevado, apriete la manilla amarilla de la parte delantera del asiento elevado (1) y tire si hasta que los botones de apertura amarillos de la parte lateral de la base se vean por completo. Tire de ambos botones de apertura amarillos

RESPALDO ALTO: FIJACIÓN DEL ASIENTO ELEVADO CON SISTEMA LATCH RÍGIDO

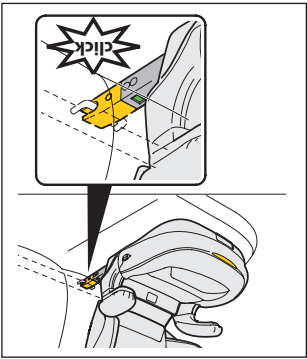


3. Compruebe que ambas ventanas de indicación son verdes. Verde (A) significa que los conectores rígidos LATCH están conectados de forma segura a los anclajes inferiores del vehículo. Rojo (B) significa que el asiento elevado no está conectado a los anclajes inferiores del vehículo.



4. Vuelva a tirar de la manilla amarilla de la parte delantera del asiento elevado contra la parte posterior del asiento del vehículo (b). Esto ocultará los botones de apertura (E) de los conectores rígidos LATCH. Esto impedirá que alguien desconecte accidentalmente el LATCH rígido.

RESPALDO ALTO: FIJACIÓN DEL ASIENTO ELEVADO CON SISTEMA LATCH RÍGIDO



Busque los anclajes inferiores del vehículo (vea el apartado "LATCH - ¿Qué es y dónde está ubicado en el vehículo?" - véase la página 15)

1. Apriete la manilla amarilla (a) de la parte delantera del asiento elevado. Ambos conectores LATCH rígidos amarillos se abren (b) al mismo tiempo. Apriete la manilla amarilla una vez más para asegurarse de que ambos conectores se abrieron hasta el fondo.

2. Alinee los conectores LATCH rígidos amarillos con los anclajes inferiores del pliegue del asiento del vehículo. Conéctelos empujando el asiento elevado hacia la parte posterior del asiento del vehículo.

RESPALDO ALTO: MONTAJE DEL ASIENTO ELEVADO EN EL VEHÍCULO

Lea el apartado "LATCH rígado: Por qué usarlo" (vea la página 19).

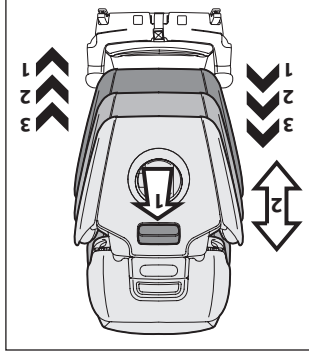
Si decide no usar el LATCH rígado:

- Salte hasta el apartado "Respaldo alto: Abrochar el cinturón de seguridad al niño en el asiento elevado" (véase la página 30).

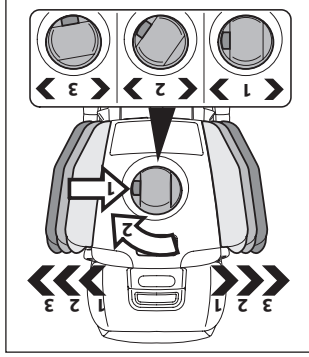
⚠ IMPORTANTE: puesto que el asiento elevado no está fijado al vehículo puede convertirse en un proyectil cuando el niño no está sentado sobre él. Por tanto, asegúrese de poner el cinturón de seguridad al asiento elevado cuando está vacío para que no se convierta en un proyectil.

Si decide usar el sistema LATCH rígado, siga las instrucciones siguientes.

RESPALDO ALTO: AJUSTE DEL ASIENTO PARA QUE SE ADAPTE AL NIÑO



2. Altura del respaldo
La altura del respaldo tiene tres posiciones. Apriete la manilla (1) de la parte posterior del respaldo y al mismo tiempo suba o baje el respaldo (2). Asegúrese de que el respaldo se encaja con un clic en su lugar intentando moverlo sin tocar la manilla.

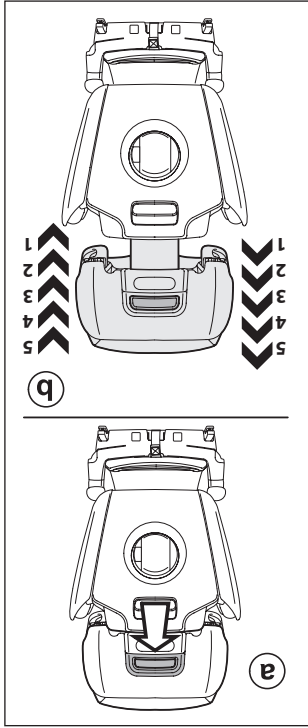


3. Ancho del respaldo
El ancho del respaldo tiene tres ajustes. Ponga el botón del lado del pomo (1) y al mismo tiempo gire el pomo (2) hacia la derecha para que el respaldo sea más ancho. Para estrechar el respaldo, gire el pomo hacia la izquierda.

RESPALDO ALTO: AJUSTE DEL ASIENTO PARA QUE SE ADAPTE AL NIÑO

1. *Altura del reposacabezas*

El reposacabezas tiene cinco posiciones. Apriete la manilla (a) de la parte posterior del reposacabezas y al mismo tiempo suba o baje el reposacabezas (b). Asegúrese de que el reposacabezas se encaja con un clic en su lugar intentando moverlo sin tocar la manilla. Asegúrese de que las guías rojas de la correa de hombro están siempre a 1 pulgada por encima o más de los hombros del niño (ver la página 34).



RESPALDO ALTO: AJUSTE DEL ASIENTO PARA QUE SE ADAPTE AL NIÑO

El reposacabezas y el respaldo se ajustan de 3 maneras distintas. Los tres ajustes son independientes entre ellos para garantizar el mejor ajuste para niños de distintos tamaños. Dedique unos cuantos minutos e intente varios ajustes hasta que encuentre el que se adapta mejor al niño. Los niños crecen rápidamente. Compruebe los ajustes cada 3 meses. A medida que el niño crece, necesitará colocar el reposacabezas y el respaldo en una posición más alta y ensanchar el respaldo. Algunos niños prefieren un respaldo más estrecho, a otros les gusta tener más espacio para los brazos. Deje que el niño le diga lo que es más cómodo para él.

⚠️ IMPORTANTE: Cuando el reposacabezas y el respaldo están en sus posiciones más altas Y las guías rojas del cinturón de hombro están debajo de los hombros del niño debe DEJAR de usar este asiento elevado de respaldo alto. Consulte la página 35 para quitar el respaldo.

MODOS DE USO: RESPALDO ALTO Y SIN RESPALDO

fuera de las partes correctas del cuerpo.

- Proporciona soporte para la cabeza y el cuello para impedir lesiones por latigazo en los vehículos que no sujetan la parte superior de las orejas de los niños.

Recomendamos encarecidamente utilizar este asiento como asiento elevado con respaldo alto siempre que sea factible. Sin embargo, sabemos que hay veces en que es más fácil viajar con el niño en un asiento elevado sin respaldo.

Sin respaldo: Asegúrese de que una parte del vehículo, ya sea el respaldo del asiento o el dispositivo de contención de la cabeza, sobresalga por lo menos hasta la parte superior de las orejas del niño.

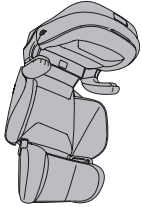
¿Por qué? La parte superior de las orejas está la misma altura de la base del cráneo del niño. Cuando el respaldo del asiento o el dispositivo de contención de la cabeza sobresale por lo menos hasta la parte superior de las orejas, el niño no puede tirar la cabeza hacia atrás en un accidente. Este soporte ayuda a evitar las lesiones por latigazo.

Si el vehículo no sujeta a la parte superior de las orejas del niño no use este asiento elevado sin respaldo, debe usarlo con respaldo alto para dar a la cabeza del niño la sujeción que necesita.

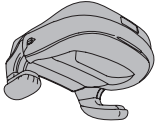
MODOS DE USO: RESPALDO ALTO Y SIN RESPALDO

El asiento elevado puede ser con el respaldo alto o sin respaldo.

Si está usando un reposacabezas y reposabrazos, su asiento elevado es de respaldo alto.



Sin el reposacabezas o el reposabrazos, es un asiento elevado sin respaldo.



El respaldo alto da al niño la mejor protección porque el reposacabezas y reposabrazos:

- Proporciona protección adicional a la cabeza, cuello y pecho del niño en caso de accidente con impacto lateral
- Proporciona un asiento más cerrado que ayuda a los niños a sentarse derechos. Los niños a menudo se apoyan y retuercen menos cuando están en un asiento con respaldo alto en vez de sin respaldo.

- Ayuda a mantener el cuerpo del niño en una posición mejor durante los giros bruscos u otras maniobras antes del accidente.
- Ayuda a mantener el cuerpo del niño derecho mientras duerme. Cuando un niño que duerme cae lateralmente, el cinturón de seguridad del asiento se arloja y se desliza

SISTEMA LATCH RÍGIDO? POR QUÉ USARLO?

Este asiento elevado cuenta con un LATCH rígido que lo fija al vehículo.

• El uso de un LATCH rígido es opcional.

• Con o sin LATCH rígido, este asiento elevado cumple o supera todas las normas de seguridad para mantener al niño seguro.

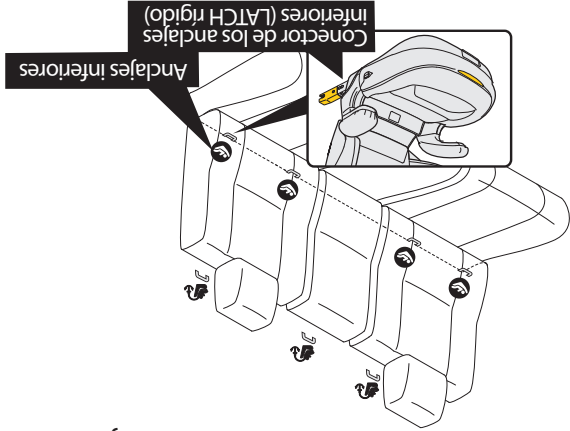
• Sin embargo, **Peg Prego recomienda encarecidamente usar un sistema LATCH rígido con este asiento elevado siempre que sea factible.** El sistema LATCH rígido aumenta la estabilidad de este asiento elevado en caso de parada repentina o giro brusco. Además, el sistema LATCH impide que el asiento elevado salga volando cuando el niño no está sentado sobre él, porque puede herir a las demás personas que están en el automóvil.

El niño usará siempre el cinturón de seguridad del asiento como dispositivo de contención. Esto sin tener en consideración si usa o no un sistema LATCH rígido para fijar el asiento elevado al vehículo.

SISTEMA LATCH - ¿QUÉ ES Y DÓNDE ESTÁ UBICADO EN EL VEHÍCULO?

Correa de sujeción: La correa de sujeción es una correa que se encuentra en todos los asientos de vehículo orientados hacia adelante. La correa de sujeción fija la parte superior del asiento de vehículo del niño al anclaje de sujeción del vehículo. La correa de sujeción mantiene seguros el cerebro y la espina dorsal de un niño que viaja en un asiento de vehículo orientado hacia adelante. Los asientos elevados normalmente no tienen ni usan correas de sujeción.

Este asiento elevado no tiene una correa de sujeción.



SISTEMA LATCH - ¿QUÉ ES Y DÓNDE ESTÁ UBICADO EN EL VEHÍCULO?

LATCH (Lower Anchors and Tethers for Children) significa sistema de correas de sujeción y anclajes inferiores para niños. El sistema LATCH funciona conectando las piezas del asiento de vehículo del niño o asiento elevado a anclajes especiales del vehículo.

Equipo LATCH del vehículo:

Anclajes inferiores: Son un par de barras de metal ocultas en el pliegue del asiento del vehículo. La mayoría de los vehículos a partir de 2003 tienen los anclajes inferiores para al menos dos posiciones de asientos (casi siempre para los asientos del pasajero y del conductor. El asiento central casi nunca cuenta con anclajes inferiores). **Anclajes de sujeción:** Son anillos o barras de metal que están detrás del asiento del vehículo. La mayoría de los vehículos a partir de 2000 tienen los anclajes de sujeción por al menos tres posiciones de asientos.

Lea el manual del propietario del vehículo para ver si el vehículo está provisto de anclajes inferiores y de sujeción y dónde están ubicados.

Conectores del anclaje inferior: Son ganchos del asiento del niño que se enganchan a los anclajes inferiores del pliegue del asiento del vehículo.

LATCH flexible: Cuando los ganchos están unidos a una correa flexible que forma parte del asiento del niño.

LATCH rígido: Cuando los ganchos están unidos de forma rígida al asiento del niño y no hay correas.

Este asiento elevado cuenta con un LATCH rígido

VEHÍCULOS Y ASIENTOS DE VEHÍCULOS - ¿CUÁLES PUEDEN USARSE DE FORMA SEGURA CON ESTE ASIENTO ELEVADO?

Este asiento elevado está diseñado para usarse en vehículos de pasajeros. No está diseñado para usarse en vehículos de tres ruedas o motocicletas.

Según las estadísticas de accidentes, los niños están más seguros cuando están sujetos correctamente en el asiento posterior en vez del asiento delantero. Por tanto, Peg Perego recomienda encarecidamente que los niños utilicen este asiento elevado en el asiento posterior.

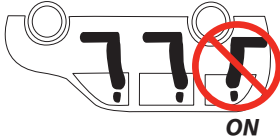
Este asiento elevado puede utilizarse **SOLAMENTE** en un asiento de vehículo orientado hacia la parte delantera del vehículo. NO utilice este asiento elevado en los siguientes casos:

1• Asientos de vehículos orientados hacia la parte lateral

2• Asientos de vehículos orientados hacia la parte trasera

3• Asientos de vehículos que giran en posiciones diferentes

Si su vehículo está equipado con bolsas de aire laterales para los pasajeros de la parte delantera, consulte el manual del propietario del vehículo para más información sobre la compatibilidad y el montaje del asiento elevado.



ON



ON

CINTURONES DE SEGURIDAD - ¿CUÁLES PUEDEN USARSE DE FORMA SEGURA CON ESTE ASIENTO ELEVADO?

Este asiento elevado debe utilizarse con un cinturón de regazo/hombro.

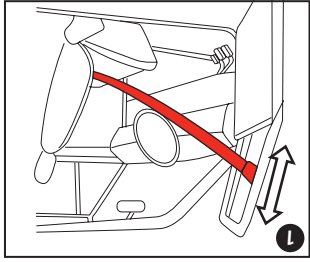
Este asiento elevado no puede utilizarse cuando se dispone solamente de un cinturón de regazo. Usar solamente el cinturón de regazo hace que aumente el riesgo de lesiones para el niño porque los cinturones de regazo no sujetan la cabeza ni el pecho del niño en caso de accidentes.

La mayoría de cinturones de regazo/hombro pueden usarse de manera segura con este asiento elevado.

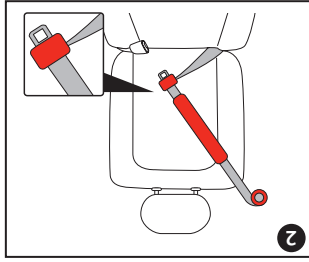
Sin embargo:

1 • Si el vehículo está equipado con cinturones de asiento que están fijados a la puerta del vehículo, no use este asiento elevado.

2 • Si su vehículo está equipado con cinturones de seguridad de asientos inflables, llame al servicio de atención al cliente de Peg Perego al 1-800-671-1701 para más información sobre la compatibilidad de este asiento elevado con su vehículo.



15



¿CUÁNDO ESTÁ PREPARADO EL NIÑO PARA VIAJAR SIN ESTE ASIENTO ELEVADO?

Los niños necesitan un asiento elevado hasta que su cuerpo quepa adecuadamente en el asiento del vehículo Y el cinturón de seguridad del asiento se adapte correctamente a su cuerpo sin la ayuda de un asiento elevado.

Adaptación correcta significa que puede decir que sí a las siguientes 5 preguntas:

1• El niño puede sentarse con la espalda contra el respaldo del asiento del vehículo.

2• Las rodillas del niño se doblan naturalmente en el borde del asiento del vehículo sin encorvarse.

3• El cinturón de regazo está en el regazo, no en el vientre. El cinturón de regazo debe apoyarse en la parte superior de las

piernas.

4• El cinturón de hombro es cómodo entre el cuello y el hombro.

5• El niño puede permanecer sentado de esta manera por todo el viaje.

Los estudios demuestran que la mitad de los niños que tienen 10 años necesitan un asiento elevado para viajar de forma segura. Cuando tienen 12 años, la mayoría de los niños puede viajar de forma segura en un asiento elevado.

¿CUÁNDO ESTÁ PREPARADO EL NIÑO PARA PASAR A UN ASIENTO ELEVADO?

durante todo el viaje - sin encorvarse, sin jugar con el cinturón de seguridad del asiento, sin poner el cinturón de seguridad del asiento debajo del brazo o detrás de la espalda, sin apoyarse, etc.

La mayoría de los niños no puede sentarse correctamente en un asiento elevado hasta tener por lo menos 5 años. Sentarse correctamente es lo que garantiza que el cinturón de seguridad del asiento se cina y permanezca en las partes óseas apropiadas del cuerpo. Si el niño no es lo suficientemente maduro para usar un asiento elevado, tiene que viajar en una silla para vehículos. El arnés de cinco puntos de la silla para vehículos hará que esté seguro y no dejará que se encurve o se apoye.

¿El niño cumple todos los requisitos anteriores para usar este asiento elevado, pero aún cabe en su silla vieja para vehículo? Muchos padres no están seguros sobre cual asiento hay que usar. Si usa la silla para vehículo orientada hacia adelante, cerciórese de usarla siempre con la correa de sujeción. Si tiene un vehículo que no cuenta con una correa de sujeción, un asiento elevado puede proporcionar una protección mejor para la cabeza y cuello que una silla para vehículo orientada hacia adelante que no está fijada.

¿CUÁNDO ESTÁ PREPARADO EL NIÑO PARA PASAR A UN ASIENTO ELEVADO?

elevados ayudan a que el cinturón de hombro se ajuste correctamente entre el hombro y el cuello. Elevando al niño y dándole un elemento de asiento más corto, las rodillas del niño pueden doblarse en el borde del asiento elevado. Esto hace que las probabilidades de que el niño quede encorvado sean menores. Estar encorvado es peligroso puesto que hace que el cinturón de regazo se coloque en la parte blanda del vientre y esto lesiona los órganos abdominales y la médula espinal. Los asientos elevados están provistos de características de diseño que ayudan a que el cinturón de regazo empiece y permanezca en el regazo durante un accidente. Por ello, muchos asientos elevados están provistos de reposabrazos y de que su asiento elevado esté provisto de reposabrazos y de que el cinturón de regazo pase siempre por debajo de ambos reposabrazos.

El niño debe cumplir TODOS estos requisitos antes de viajar en este asiento elevado:

- Por lo menos 4 años (respaldo alto) / por lo menos 5 años (sin respaldo)
- Por lo menos 40 libras
- Por lo menos 39 pulgadas de altura
- Debe poder sentarse correctamente en este asiento elevado

¿CUÁNDO ESTÁ PREPARADO EL NIÑO PARA PASAR A UN ASIENTO ELEVADO?

Muchos padres confunden la "silla para automóvil" con el "asiento elevado". Es importante comprender la diferencia entre una silla para automóvil y un asiento elevado.

Una silla para automóvil es un asiento en el que el niño se sienta y tiene un arnés de cinco puntos como dispositivo de contención.

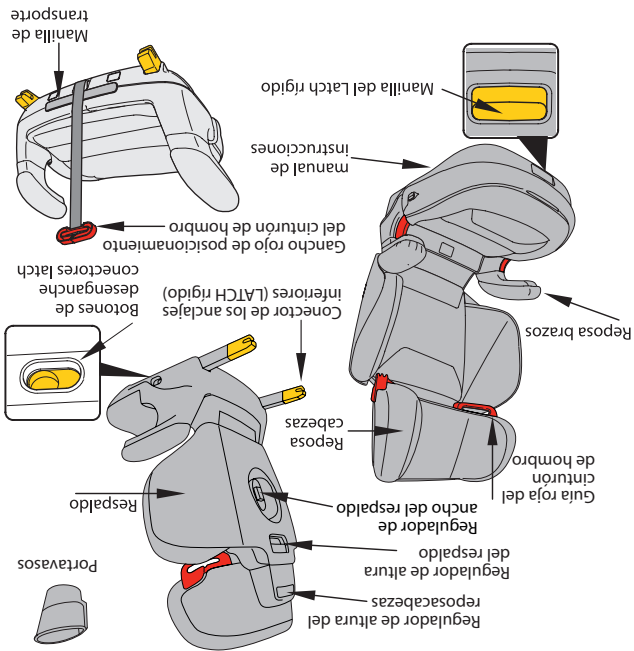
Un asiento elevado es un asiento en el que el niño se sienta y usa el cinturón de seguridad del vehículo como dispositivo de contención.

El Viajio Shuttle Plus 120 es un asiento elevado.

Los asientos elevados son para niños que son demasiado grandes para la silla para automóvil y demasiado pequeños para usar correctamente el cinturón de seguridad del vehículo. Los asientos elevados ayudan a que el cuerpo del niño se ajuste correctamente al asiento del vehículo. Los asientos elevados hacen que el cinturón de seguridad del vehículo empiece y permanezca en las partes óseas correctas del cuerpo del niño.

No es casualidad que los asientos elevados hagan que los niños estén en una posición más alta. Elevando al niño, los asientos

SU ASIENTO ELEVADO

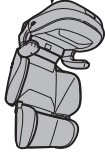
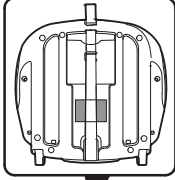


REGISTRO Y RETIRO

¡Importante! Los dispositivos de contención del niño pueden retirarse por motivos de seguridad. Debe registrar este dispositivo de contención para que pueda ser contactado en caso de que el producto sea retirado del mercado. Envíe su nombre, dirección y el número de modelo del dispositivo de contención, así como la fecha de fabricación a: Peg Perego U.S.A., Inc. 3625 Independence Drive FortWayne, IN 46808 o llame al 1-800-671-1701 (llamada gratuita) o regístrese en línea en www.carseat-registration.pegperego.com

Para más información sobre el retiro, llame a la línea directa de seguridad automotriz del gobierno de los EE. UU. al 1-888-327-4236 (TTY: 1-800-424-9153) o visite la página web <http://www.NHTSA.gov>

El número de modelo, el modelo, la fecha de fabricación, etc. están impresos de forma indeleble en una etiqueta situada debajo de la base del asiento (como se muestra). La tarjeta de registro está fijada al revestimiento de tela. Despegue la tarjeta, rellénela y envíela a Peg Perego. No necesita estampillas. El franqueo está pagado. Si falta la tarjeta de registro, llame al servicio de atención al cliente al 1-800-671-1701.



instrucciones y las etiquetas atentamente para evitar que el niño sufra lesiones graves.

- **ADVERTENCIA** Utilice solamente el sistema del cinturón de hombro y regazo para sujetar al niño en este asiento elevado.
- Conserve el manual de instrucciones en el compartimiento de debajo del asiento.
- Los cojines y el revestimiento de tela que se suministran con este asiento elevado son parte de él y del programa de certificación. No se recomienda utilizar revestimientos u otros accesorios no aprobados porque pueden poner al niño en peligro en caso de accidentes.
- La espuma blanca que absorbe energía situada debajo de los revestimientos de tela es un dispositivo de seguridad de este asiento elevado y no debe retirarse ni dañarse.

Este asiento elevado no está certificado para el uso en aeroplanos porque los asientos de los aeroplanos NO están provistos de cinturones de hombro

INFORMACIÓN Y ADVERTENCIAS

• **Certificación:** Este asiento elevado cumple o supera los requisitos de la norma federal 213 sobre seguridad de los vehículos motorizados para uso en vehículos motorizados. Este dispositivo de contención NO está certificado para el uso en aeroplanos.

• **Vencimiento:** No utilice este asiento elevado si tiene más de 12 años. La fecha de fabricación se encuentra en una etiqueta ubicada debajo del asiento elevado. En caso de accidentes: Si este asiento elevado ha sufrido un choque menor, puede seguir usándolo. De lo contrario, debe cambiarse. Si tiene dudas, llame al servicio de asistencia al cliente al 1-800-671-1701.

- Un choque menor es cuando puede decir que SI a TODAS las afirmaciones siguientes:

- El vehículo pudo conducirse lejos del lugar del accidente.
- La puerta del vehículo más cercana al asiento elevado no se dañó.
- Ninguno de los pasajeros del vehículo sufrió lesiones en el accidente.

- Si el vehículo estaba provisto de bolsas de aire, las bolsas de aire no explotaron durante el accidente.
- El asiento elevado no tiene daños visibles.

- No utilice este asiento elevado sin antes haber leído este manual y las etiquetas⁷ fijadas al artículo. Siga las

PRÁCTICAS DE SEGURIDAD

Tiene que hacer uso de sólo una de las dos maneras.

1. Use el LATCH rígido (vea las páginas 24-25)

2. Use el cinturón de seguridad del asiento del vehículo para fijar el asiento elevado vacío

- NO dé al niño chupetes o helados en palito mientras está en el vehículo. Estos palitos pueden herir al niño si el vehículo pasa por un bache o gira bruscamente.
- No deje el asiento elevado bajo la luz directa del sol por mucho tiempo. El asiento puede calentarse mucho y quemar la piel del niño.

- Guarde el asiento elevado en un lugar fresco y seco si no lo utiliza por largos periodos.

- No intente retirar ni agregar piezas a excepción de lo descrito en este manual; no intente reparar este producto. En caso de piezas dañadas o defectuosas, llame al servicio de asistencia al cliente al 1-800-671-1701.

PRÁCTICAS DE SEGURIDAD

- Todos deben abrocharse los cinturones, incluidos los adultos en el asiento posterior. No deben hacerse excepciones. Si alguien se quita el cinturón, detenga el vehículo. Sea firme y coherente desde el principio para que los niños aprendan las reglas. Una persona sin sujeción aumenta el riesgo de muerte para los demás puesto que pueden salir volando y causar daños a los demás pasajeros.
- No saque nunca a un niño de un asiento elevado por ningún motivo mientras el vehículo está en movimiento.

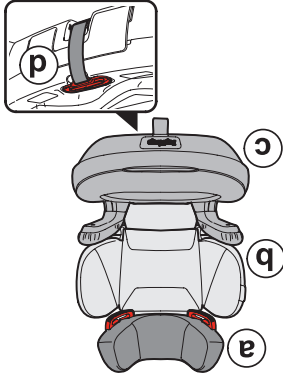
- No deje objetos sueltos, bolsos ni equipaje en el área del pasajero. En caso de accidentes, estos son más pesados de lo normal y pueden volar y herir a las personas que están en el vehículo.

- No deje al niño sin vigilancia en el vehículo, ni siquiera por un minuto. El niño puede enredarse en el cinturón del asiento y estrangularse.

- Este asiento elevado debe fijarse cuando el niño no está sentado sobre él. Este asiento elevado es un objeto pesado que puede herir gravemente a los demás en caso de accidente, si volara alrededor del vehículo. Puede fijar este asiento elevado de dos maneras cuando el niño no está sentado sobre él para evitar que se convierta en un proyectil fatal.

INTRODUCCIÓN

Gracias por haber elegido el asiento elevado Peg Perego Viaggio Shuttle Plus 120. Como en todos los productos Peg Perego, el modelo Viaggio Shuttle Plus 120 ha sido diseñado y certificado por un equipo dedicado de ingenieros del departamento de investigación y desarrollo de Peg Perego. Ha sido fabricado y montado en una planta Peg Perego con procedimientos de calidad certificada usando materiales de alta calidad provenientes de proveedores certificados. Como todos los asientos elevados, el Viaggio Shuttle Plus 120 ha sido diseñado para ser usado por un niño en un vehículo.



Compruebe el producto antes de usarlo. El producto está compuesto por: Reposacabezas (a), reposabrazos (b), asiento con LATCH rígido integrado (c) y gancho de colocación de la correa del hombro (d). En caso de piezas defectuosas o faltantes, póngase en contacto con nuestro servicio de atención al cliente @ 1-800-671-1701 para que le presten asistencia.

INDICE

Sin respaldo:	
- Montaje del asiento elevado sin respaldo en el vehículo.....	37
- Fijación del asiento elevado con LATCH rígido en el vehículo.....	38
- Abrochar el cinturón de seguridad al niño en el asiento elevado.....	42
Cuando y cómo usar el gancho de colocación del cinturón de hombro.....	46
Kinetic Pods.....	48
Portavasos.....	49
Limpieza y mantenimiento.....	50
Piezas de repuesto.....	56

INDICE

Introducción.....	4
Prácticas de seguridad.....	5
▲ Información y advertencias	7
Registro y retiro.....	9
Su asiento elevado.....	10
? Cuando está preparado el niño para pasar a un asiento elevado?	11
? Cuando está preparado el niño para viajar sin este asiento elevado?	14
Cinturones de seguridad - ? Cuáles pueden usarse de forma segura con este asiento elevado?	15
Vehículos y asientos de vehículos - ? Cuáles pueden usarse de forma segura con este asiento elevado?	16
LATCH - ? ¿Qué es y dónde está ubicado en el vehículo?	17
LATCH rígido? Por qué usarlo?	19
Modos de uso: respaldo alto y sin respaldo	20
Respaldo alto:	
- Ajuste del asiento para que se adapte al niño.....	22
- Montaje del asiento elevado en el vehículo	25
- Fijación del asiento elevado con LATCH rígido.....	26
- Abrochar el cinturón de seguridad al niño en el asiento elevado.....	30
Conversión de respaldo alto a sin respaldo.....	35

PegPerego

USA
ES Instrucciones de uso
FIUS20011262

Viaggio

SHUTTLE Plus
RIGID LATCH 120

⚠️ ADVERTENCIA:

• No instale ni use este asiento elevado sin antes haber leído y comprendido las instrucciones contenidas en este manual y en las etiquetas. Siga las instrucciones atentamente para evitar que el niño sufra lesiones graves. Mantenga el manual de instrucciones en el compartimiento especial para referencia futura.

Rango de peso:
De 40 a 120 libras
(de 18 a 54 kg)

Rango de altura:
De 39 a 63 pulgadas
(de 99 a 160 cm)

Edad:
Por lo menos 4 años
(Respaldo alto)
Por lo menos 5 años
(Sin respaldo)